

**PARTS
CATALOGUE
CATALOGUE
DE PIÈCES DÉTACHÉES**

55BET'02(6971)

2A697-300F1

YAMAHA
GENUINE
Parts & Accessories

A1

FOREWORD

This Parts Catalogue is related to the parts for the model(s) in the below frame. When you are ordering replacement parts, please refer to this Parts Catalogue and quote both part numbers and part names correctly.

55BET'02(6971)

1. Modifications or additions which have been made after issue of the Parts Catalogue will be announced in the Yamaha Parts News.
It is advisable that you make necessary corrections to the Parts Catalogue according to the Yamaha Parts News.

2. Abbreviations

The Following abbreviations are used in this Parts Catalogue.

“UR” Use specified parts number.

“UN” Use as many as needed.

“AP” Alternate Parts

“LM” Local Made

(Parts need to be ordered locally)

“O/S” Over Size

3. Parts, which are to be supplied in an assembly, are listed with a dot(.) in front of the part name as shown below.

EXAMPLE

CARBURETOR ASSY

.JET, PILOT

.NOZZLE, MAIN

4. Number of component for assembly

The numeral appearing to the right of each component part indicates the quantity of parts for each assembly unit.

EXAMPLE

PART NO.	DESCRIPTION	□	□	□	□	REMARKS
6E0-85500-70	C.D.I. MAGNETO ASSY	1				
6E0-85550-70	.ROTOR ASSY	1				
6E0-15723-00-94.	.PULLY, STARTER	1				

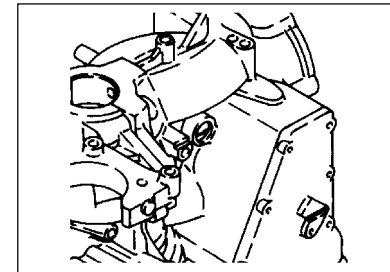
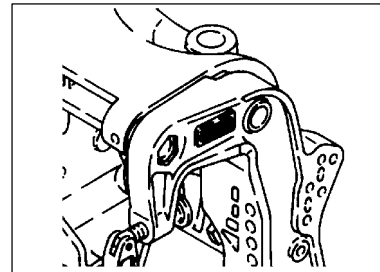
5. Quantity Column Information

NAME for Q'TY COLUMN	APPLICABLE MODEL
55B	55BET

6. Applicable Starting Serial No. and Color Code

1) Engine Starting Sserial No.

55BET	663K L : 000143
-------	-----------------



2) Color Code

Color Code	Color Name	Abbreviation
004D	DARK BLUISH GRAY METALLIC 2	DBNM2

7. Note that the illustrations for reference in finding parts numbers, not to be used for assembling. When assembling, please use the applicable service manual.

8. The asterisk (*) before a reference number indicates modification items after the first edition.

CONTENTS

SHEET 1/2

TOP COWLING A4
CYLINDER. CRANKCASE A5
INTAKE B1
FUEL B4
GENERATOR B6
ELECTRICAL 1 B7
ELECTRICAL 2 C2
STARTING MOTOR C3
BOTTOM COWLING C5
CONTROL C7
BRACKET 1 D3
BRACKET 2 D5
POWER TRIM & TILT ASSY D7
UPPER CASING E3
LOWER CASING. DRIVE 1 E4
LOWER CASING. DRIVE 2 E7
FUEL TANK F2
REMOTE CONTROL BOX F3
REMOTE CONTROL ASSY F4
METER F7

INDEX

NUMERICAL INDEX G1

SHEET 2/2

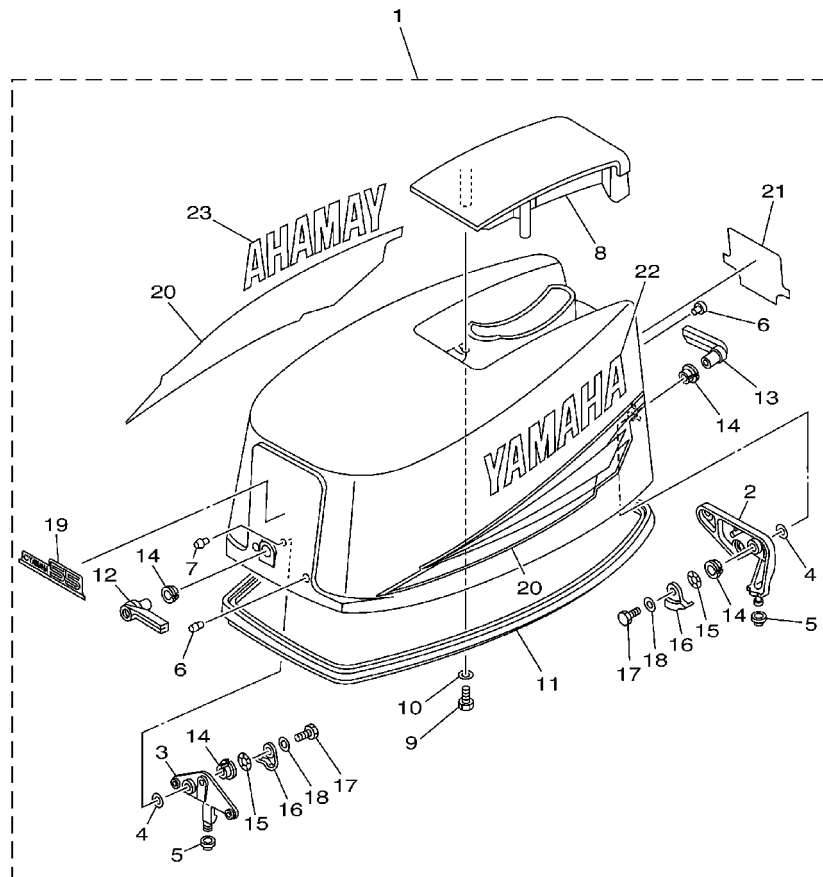
REPAIR KIT 1 A4*
REPAIR KIT 2 A6*

INDEX

NUMERICAL INDEX G1*

FIG. 1 TOP COWLING

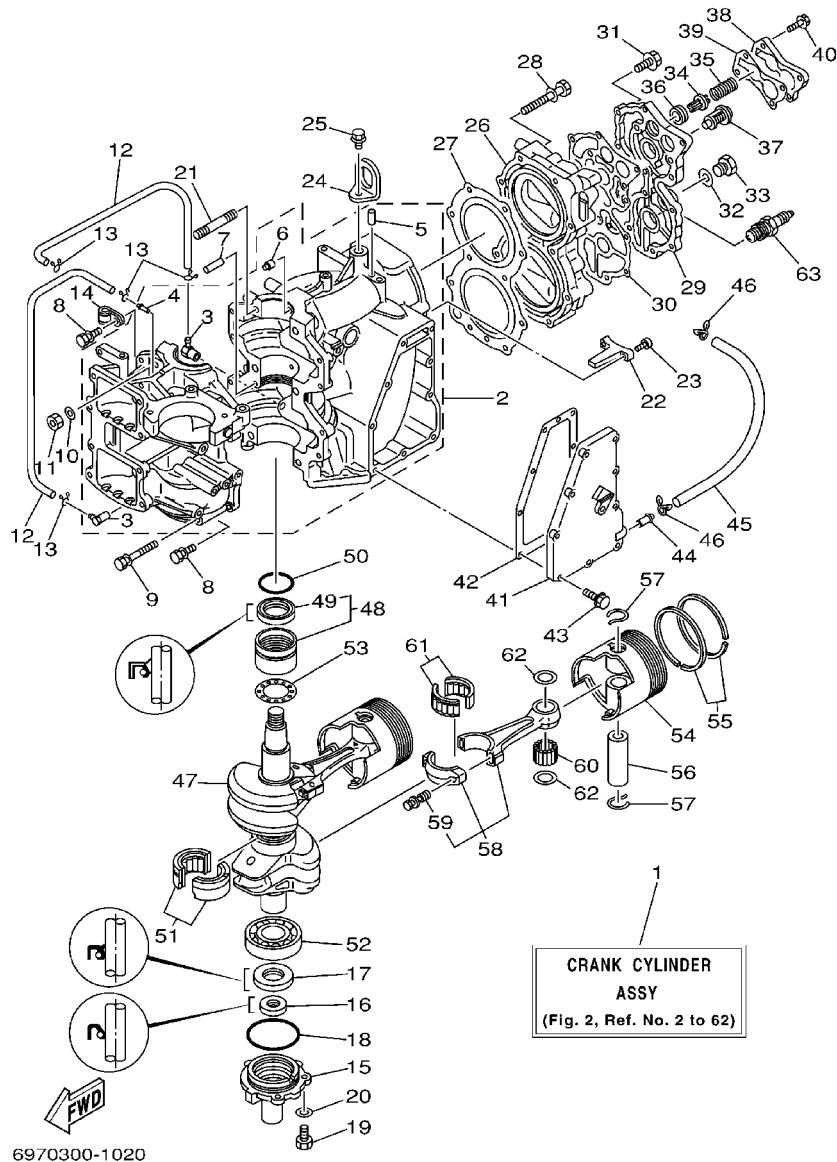
CAPOT SUPERIEUR



REF. NO.	PART NO. NO. PIECES	DESCRIPTION DESCRIPTION	55B	REMARKS REMARQUES
1	697-42610-40-4D	TOP COWLING ASSY CAPOT (ENS.)	1	
2	697-42647-00-94	.HOLDER, CLAMP BAND .SUPPORT, SANDOW DE SERRAGE	1	
3	697-42649-00-94	.HOLDER, CLAMP BAND .SUPPORT, SANDOW DE SERRAGE	1	
4	90202-19M10	.WASHER, PLATE .RONDELLE, PLATE	2	
5	663-42662-00	.DAMPER AMORTISSEUR	2	
6	90266-06009	.RIVET .RIVET	5	
7	90266-06M02	.RIVET .RIVET	1	
8	697-42613-01-4D	.MOLDING, AIR DUCT .MANCHON A AIR	1	
9	97095-06016	.BOLT .BOULON	4	
10	92995-06600	.WASHER .RONDELLE	4	
11	663-42615-02	.SEAL .JOINT	1	
12	697-42815-11-98	.LEVER, CLAMP .LEVIER, PRESSE	1	
13	697-42817-11-98	.LEVER, CLAMP .LEVIER, PRESSE	1	
14	90386-13M38	.BUSH .DOUILLE	4	
15	90206-13019	.WASHER, WAVE .RONDELLE, ONDULEE	2	
16	663-42816-02	.LEVER, CLAMP .LEVIER, PRESSE	2	
17	97095-06012	.BOLT .BOULON	2	
18	90201-06068	.WASHER, PLATE .RONDELLE, PLATE	2	
19	697-42677-40	.GRAPHIC, FRONT ADHESIF, AVANT	1	
20	697-W0070-31	.GRAPHIC SET JEU DIEMBLEMES	1	
21	697-42678-30	.GRAPHIC, REAR ADHESIF, ARRIERE	1	
22	697-42681-31	.MARK, COWLING ADHESIF, CAPOT	1	
23	697-42682-31	.MARK, COWLING ADHESIF, CAPOT	1	



6961200-2010

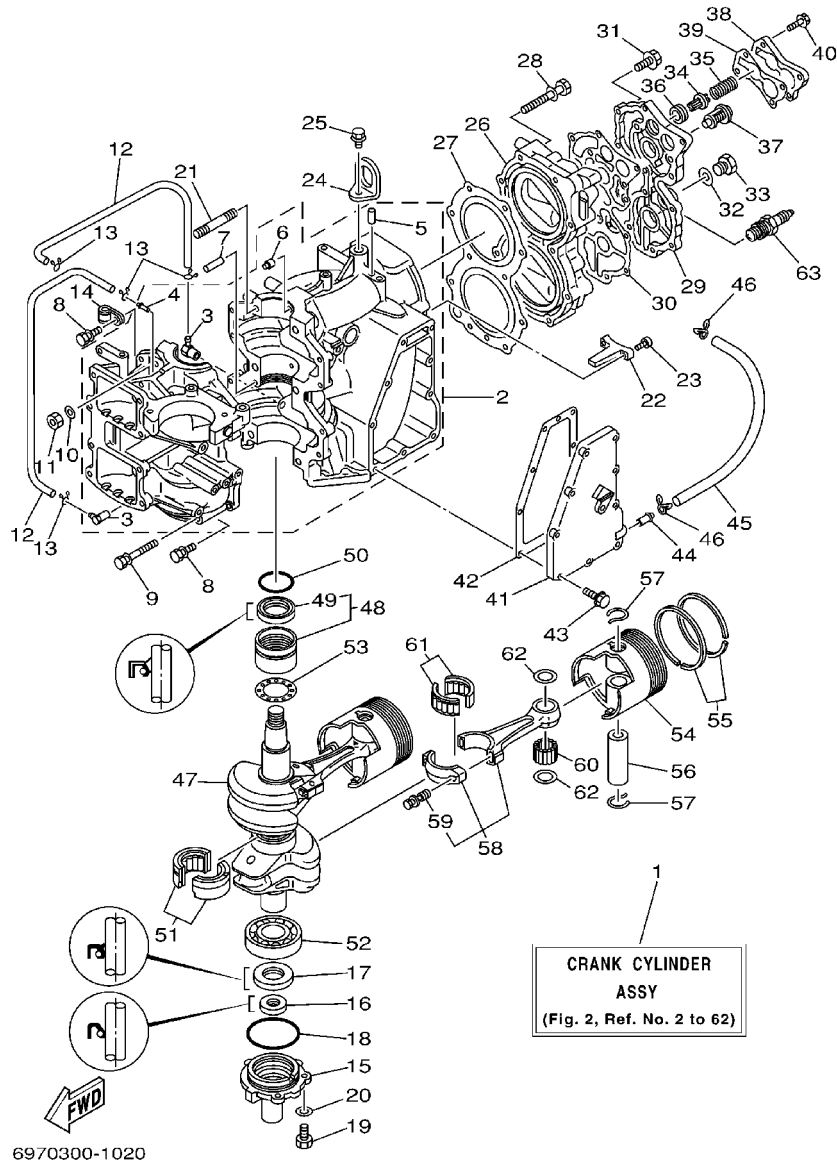


6970300-1020

FIG. 2 CYLINDER. CRANKCASE CYLINDRE. CARTER

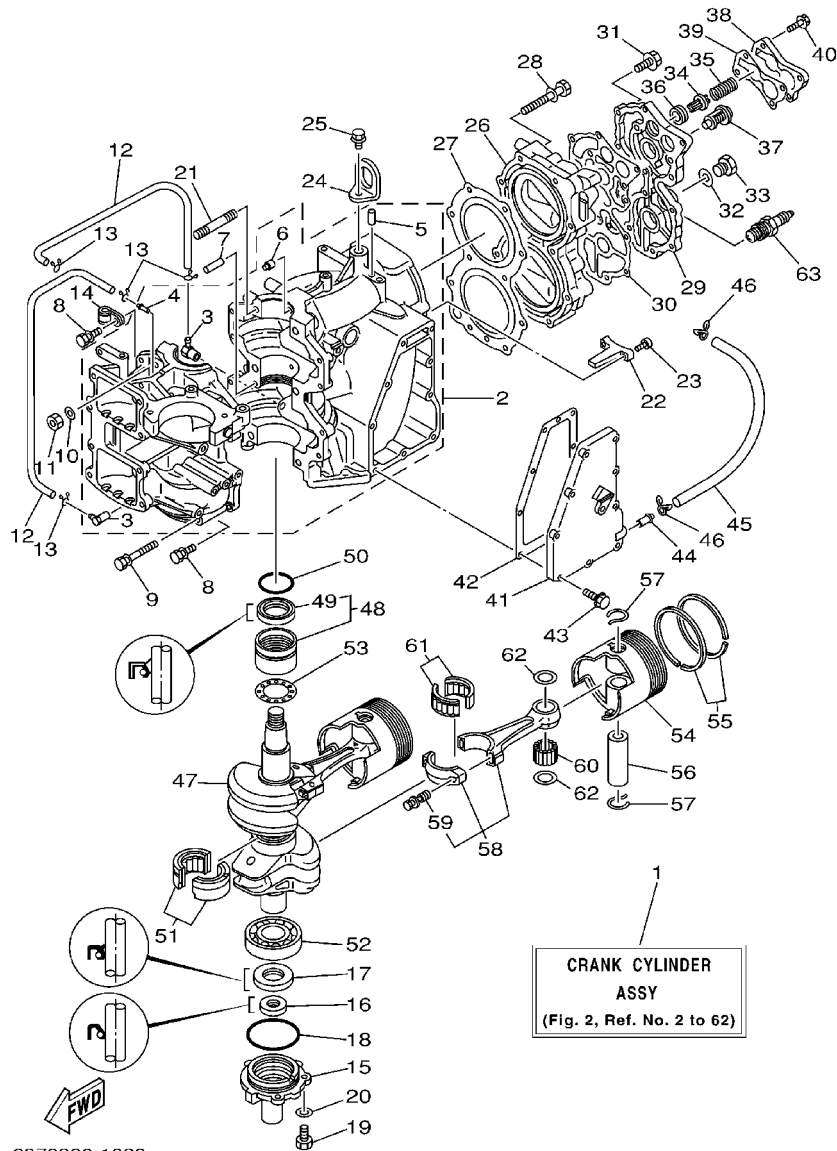
REF. NO.	PART NO. NO. PIECES	DESCRIPTION DESCRIPTION	55B				REMARKS REMARQUES
1	697-W0090-05-1S	CRANK CYLINDER ASSY EMBIELLAGE CYLINDRE (ENS.)	1				
2	697-15100-02-1S	CRANKCASE ASSY CARTER DE MOTEUR COMPLET	1				
3	650-11370-00	.CHECK VALVE ASSY .CLAPET (ENS.)	2				
4	624-14485-00	.PIPE, JOINT .DURITE	1				
5	93604-08062	.PIN, DOWEL .GOUJON	1				
6	663-11518-01	.LOCK, BEARING .CENTREUR, ROULEMENT	2				
7	93608-12063	PIN, DOWEL GOUJON	1				
8	90119-06M12	BOLT, WITH WASHER BOULON, AVEC RONDELLE	8				
9	90119-10005	BOLT, WITH WASHER BOULON, AVEC RONDELLE	4				
10	90201-10008	WASHER, PLATE RONDELLE, PLATE	2				
11	95313-10600	NUT ECROU	2				
12	90445-07240	HOSE (L330) DURITE (L330)	2				
13	90467-06016	CLIP JONC	4				
14	90461-04011	CLAMP BRIDE	1				
15	663-15359-01-94	HOUSING, OIL SEAL LOGEMENT, BAGUE D'ETANCHEITE	1				
16	93104-18049	OIL SEAL JOINT SPY	1				
17	93102-28135	OIL SEAL JOINT SPY	1				
18	93210-62269	O-RING JOINT TORIQUE	1				
19	97095-06016	BOLT BOULON	3				
20	92995-06600	WASHER RONDELLE	3				
21	90116-10177	BOLT, STUD GOUJON	2				
22	663-11325-00	ANODE ANODE	1				
23	98780-04015	SCREW, FLAT HEAD VIS, TETE PLATE	2				
24	697-11119-00	HANGER, ENGINE ANNEAU, LEVAGE	1				
25	90119-08018	BOLT, WITH WASHER BOULON, AVEC RONDELLE	1				
26	663-11111-02-1S	HEAD, CYLINDER 1 CULASSE	1				
27	697-11181-A1	GASKET, CYLINDER HEAD 1 JOINT, DE CULASSE 1	1				

FIG. 2 CYLINDER. CRANKCASE CYLINDRE. CARTER



6970300-1020

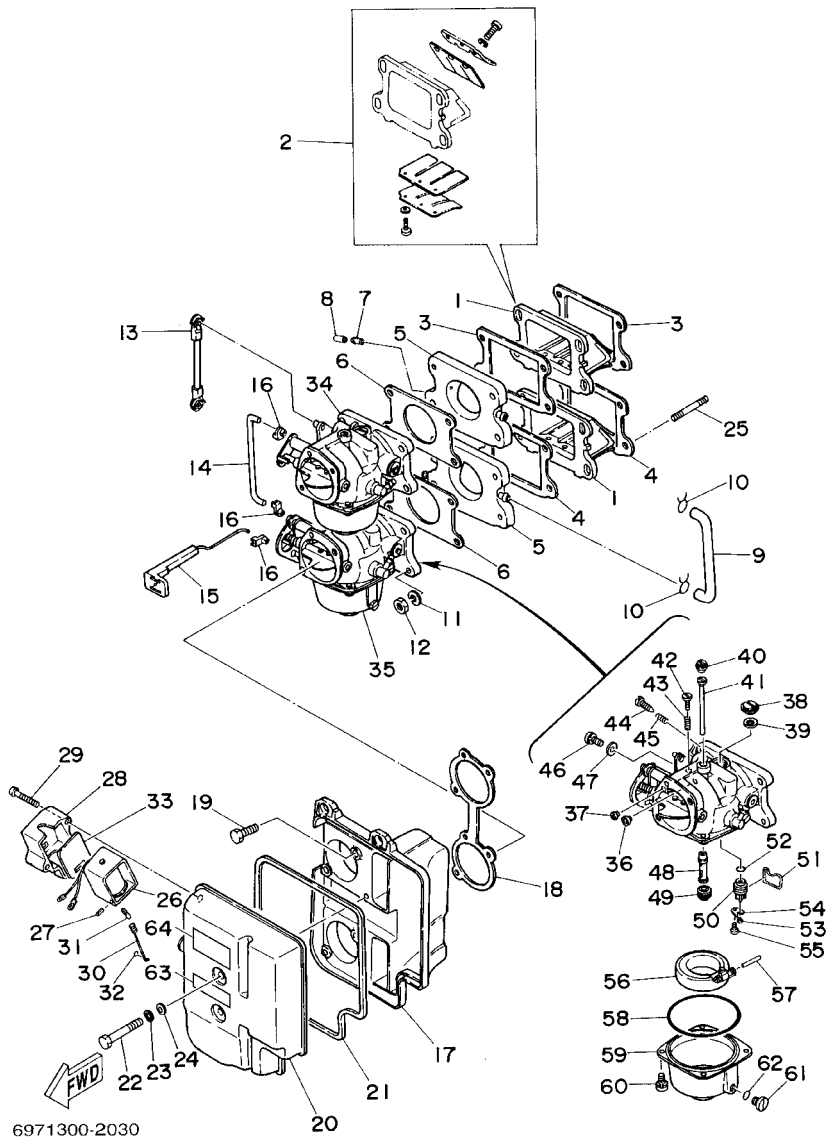
REF. NO.	PART NO. NO. PIECES	DESCRIPTION DESCRIPTION	55B				REMARKS REMARQUES
28	90119-08MA8	BOLT, WITH WASHER BOULON, AVEC RONDELLE	10				
29	663-11191-00-1S	COVER, CYLINDER HEAD 1 COUVERCLE, CULASSE 1	1				
30	663-11193-A0	GASKET, HEAD COVER 1 JOINT, COUVERCLE DE CULASSE 1	1				
31	90119-06MA2	BOLT, WITH WASHER BOULON, AVEC RONDELLE	12				
32	90430-14115	GASKET JOINT	1				
33	90340-14036	PLUG, STRAIGHT SCREW PLOT, FILETE DROIT	1				
34	663-12416-00	VALVE, PRESSURE CONTROL SOUPAPE DE CONTROLEUR PRESS	1				
35	90501-14234	SPRING, COMPRESSION RESSORT, COMPRESSION	1				
36	90480-18065	GROMMET PASSE-FIL	1				
37	6F5-12411-02	THERMOSTAT THERMOSTAT	1				
38	663-12413-00-1S	COVER, THERMOSTAT COUVERCLE, THERMOSTAT	1				
39	663-12414-A0	GASKET, COVER JOINT, COUVERCLE	1				
40	90119-06MA4	BOLT, WITH WASHER BOULON, AVEC RONDELLE	4				
41	663-41113-00-1S	OUTER COVER, EXHAUST COUVERCLE, ECHAPPEMENT	1				
42	663-41114-A0	GASKET, EXHAUST OUTER COVER JOINT, COUVERCLE D'ECHAPPEMENT	1				
43	90119-06MA2	BOLT, WITH WASHER BOULON, AVEC RONDELLE	9				
44	650-24378-00	PIPE, JOINT 4 DURITE RACCORDEMENT 4	1				
45	663-24312-01	PIPE 2 DURITE 2	1				
46	90467-08004	CLIP JONC	2				AP
47	663-11411-01	CRANKSHAFT VILEBREQUIN COMPLET	1				
48	93311-632U1	BEARING ROULEMENT	1				
49	93102-32M07	.OIL SEAL .JOINT SPY	1				
50	93210-42159	O-RING JOINT TORIQUE	1				
51	93311-832U4	BEARING ROULEMENT	1				
52	93306-206U3	BEARING ROULEMENT	1				
53	663-11561-00	SHIM, CRANK 1 CALE, VILEBREQUIN 1	1				
54	688-11631-03-94	PISTON (STD) PISTON (STD)	2				



6970300-1020

FIG. 2 CYLINDER. CRANKCASE CYLINDRE. CARTER

REF. NO.	PART NO. NO. PIECES	DESCRIPTION DESCRIPTION	55B			REMARKS REMARQUES
54	688-11635-03	PISTON (0.25MM O/S)	2			AP
	688-11636-03	PISTON (0.50MM O/S)	2			AP
55	688-11603-A0	PISTON RING SET (STD)	2			
	688-11604-A0	JUE DE SEGMENTS (0.25MM O/S)	2			AP
	688-11605-A0	JUE DE SEGMENTS (0.50MM O/S)	2			AP
56	663-11633-00	PIN, PISTON AXE, PISTON	2			
57	688-11634-00	CLIP, PISTON PIN AGRAFE, AXE DE PISTON	4			
58	688-11650-03	CONNECTING ROD ASSY BIELLE COMPLETE	2			
59	90109-08022	.BOLT .BOULON	2			
60	93603-21111	PIN, DOWEL GOUJON	56			
61	93310-730V8	BEARING ROULEMENT	2			
62	90201-20417	WASHER, PLATE RONDELLE, PLATE	4			
63	94702-00247	PLUG, SPARK (NGK BR8HS-10) BOUGIE D'ALLUMAGE (NGK BR8HS-10)	2			



6971300-2030

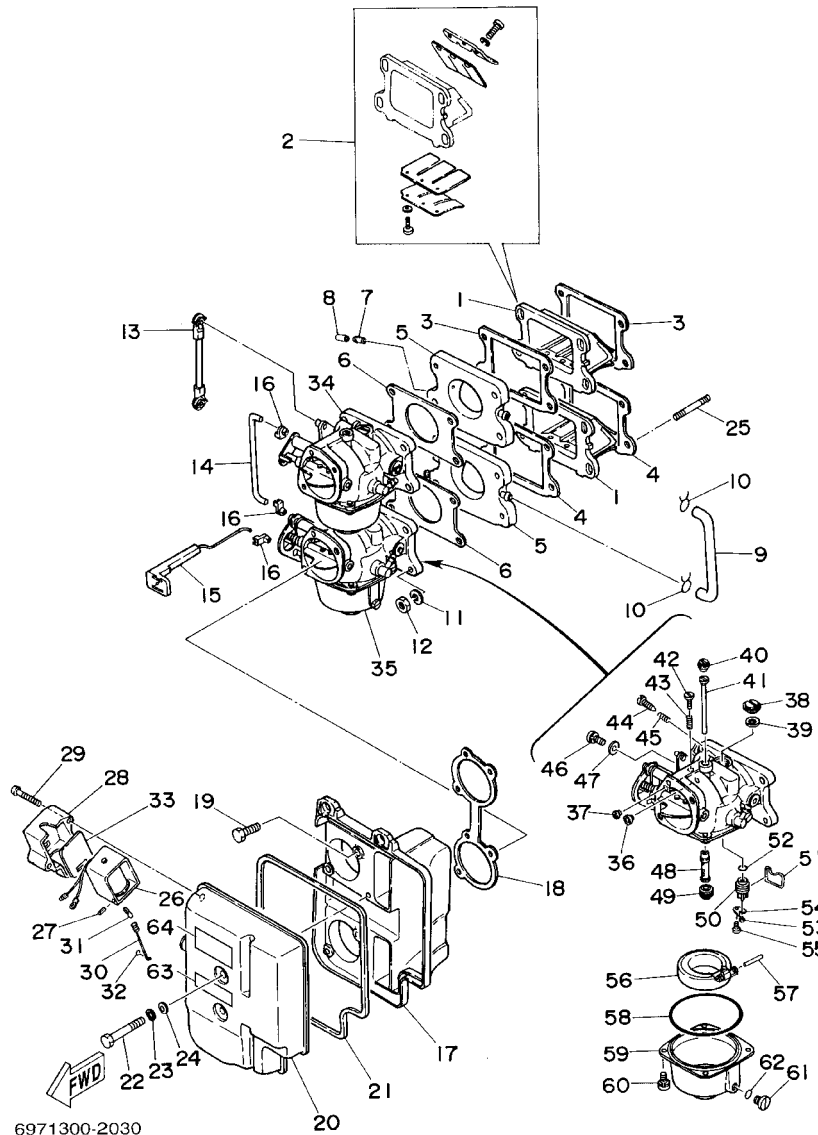
FIG. 3 INTAKE

ADMISSION

REF. NO.	PART NO. NO. PIECES	DESCRIPTION DESCRIPTION	55B				REMARKS REMARQUES
1	697-13610-00	REED VALVE ASSY CLAPET COMPLET	2				
2	692-W0004-00	.REED SET .JEU DE CLAPETS	1				
3	663-13621-A0	GASKET, VALVE SEAT JOINT, SIEGE DE CLAPET	2				
4	663-13622-A0	GASKET, VALVE SEAT JOINT, SIEGE DE CLAPET	2				
5	663-13641-02-94	MANIFOLD 1 TUBULURE 1	2				
6	663-14198-A0	GASKET JOINT	2				
7	624-14485-00	PIPE, JOINT DURITE	2				
8	647-14395-60	CAP, OVERFLOW PIPE COUVRE DE DURITE REFOULEMENT	1				
9	663-24321-00	PIPE 10 DURITE	1				
10	90467-08004	CLIP JONC	2				
11	92995-06100	WASHER, SPRING RONDELLE, GROWER	8				
12	95380-06600	NUT, HEXAGON ECROU	8				
13	697-41217-01	ROD, ACCEL. LEVER TIGE, LEVIER ACCELERATION	1				
14	663-41257-02	ROD, CHOKE 2 TRINGLE 2, STARTER	1				
15	663-41256-01	ROD, CHOKE 1 TRINGLE 1, STARTER	1				
16	661-41262-02	JOINT, CHOKE LEVER RACCORD, LEVIER DE STARTER	3				
17	697-14417-00-94	COVER 1 COUVERCLE 1	1				
18	663-14483-A0	GASKET JOINT	1				
19	97013-06025	BOLT BOULON	4				
20	697-14418-00-94	COVER 2 COUVERCLE 2	1				
21	697-14416-00	GASKET, AIR CLEANER JOINT, FILTRE A AIR	1				
22	97095-06045	BOLT BOULON	2				
23	92995-06100	WASHER, SPRING RONDELLE, GROWER	2				
24	92995-06600	WASHER RONDELLE	2				
25	90116-06176	BOLT, STUD GOIJON	8				
26	663-86110-02	SOLÉNOÏD SOLENOID	1				
27	91690-30010	PIN, SPRING GOUPILE, ELASTIQUE	1				

FIG. 3 INTAKE

ADMISSION

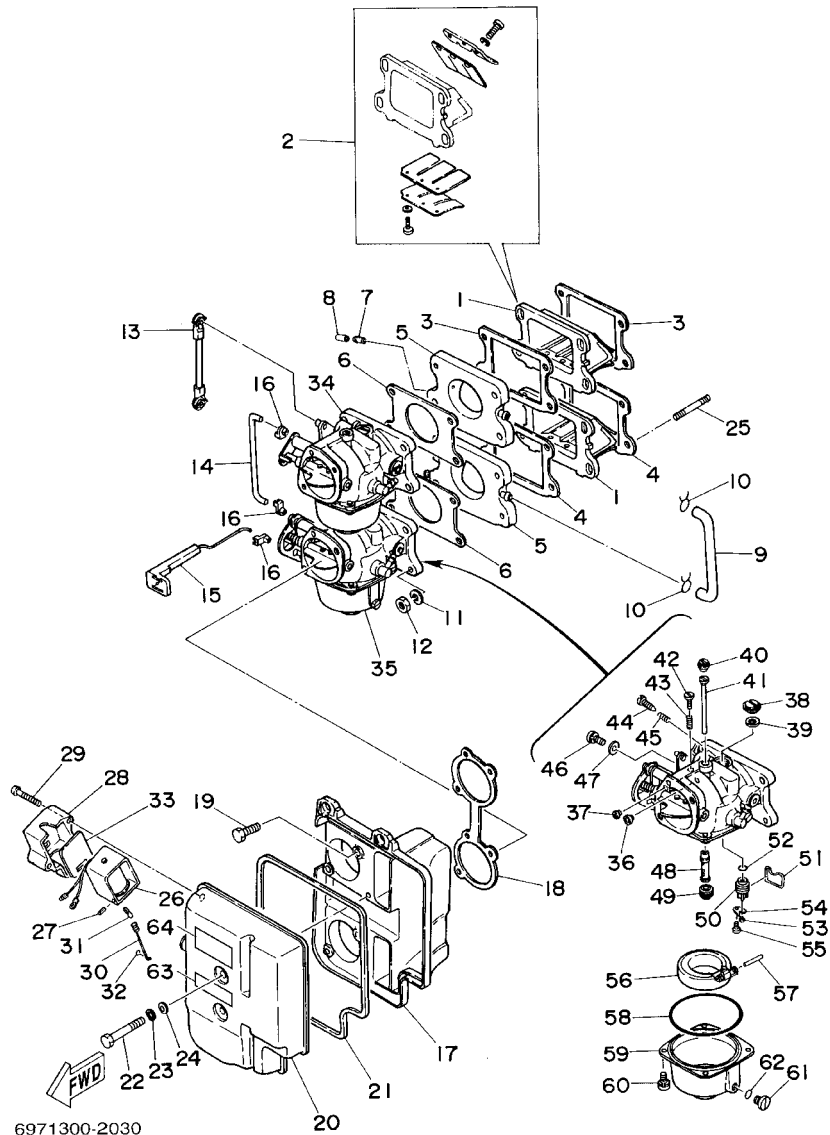


6971300-2030

REF. NO.	PART NO. NO. PIECES	DESCRIPTION DESCRIPTION	55B				REMARKS REMARQUES
28	663-86115-00	HOLDER, SOLENOID SUPPORT, SOLENOIDE	1				
29	97880-05030	SCREW, PAN HEAD VIS, TETE TRONCONIQUE	2				
30	663-86116-01	WIRE, PULL CABLE, TENSION	1				
31	676-86117-00	HOOK, WIRE PULL CROCHET, TENSION DE CABLE	1				
32	93210-03261	O-RING JOINT TORIQUE	1				
33	663-86118-00	DAMPER AMORTISSEUR	1				
34	697-14501-04	CARBURETOR ASSY 1 CARBURATEUR 1 COMPLETE	1				#1
35	697-14502-04	CARBURETOR ASSY 2 CARBURATEUR 2 COMPLET	1				#2
36	663-14950-27	.PILOT, AIR JET .GICLEUR, AIR RALENTI	2				
37	663-14945-32	.JET (#125) .GICLEUR (#125)	2				
38	697-14991-00	.SCREW .VIS	2				
39	679-14557-00	.WASHER .RONDELLE	2				
40	663-14567-01	.SCREW .VIS	2				
41	663-14942-19	.JET, PILOT .GICLEUR, RALENTI	2				
42	63V-14523-00	.SCREW, STOP .VIS, BUTEE	1				#2
43	90501-10326	.SPRING, COMPRESSION .RESSORT, COMPRESSION	1				#2
44	663-14923-00	.SCREW, PILOT .VIS, RALENTI	2				
45	90501-08214	.SPRING, COMPRESSION .RESSORT, COMPRESSION	2				
46	6K5-14592-00	.SCREW .VIS	1				#1
47	90201-05652	.WASHER, PLATE .RONDELLE, PLATE	1				#1
48	663-14947-01	.JET, NEEDLE .GICLEUR DE STARTER	2				
49	663-14943-39	.JET, MAIN (#160) .GICLEUR, PRINCIPAL (#160)	2				
50	696-14590-00	.NEEDLE VALVE ASSY .POINTEAU	2				
51	663-14159-00	.CLIP .JONC	2				
52	93210-07229	.O-RING .JOINT TORIQUE	2				
53	810-14186-00	.PIN, FLOAT .AXE, FLOTTEUR	2				
54	371-14919-60	.CLIP .JONC	2				

FIG. 3 INTAKE

ADMISSION

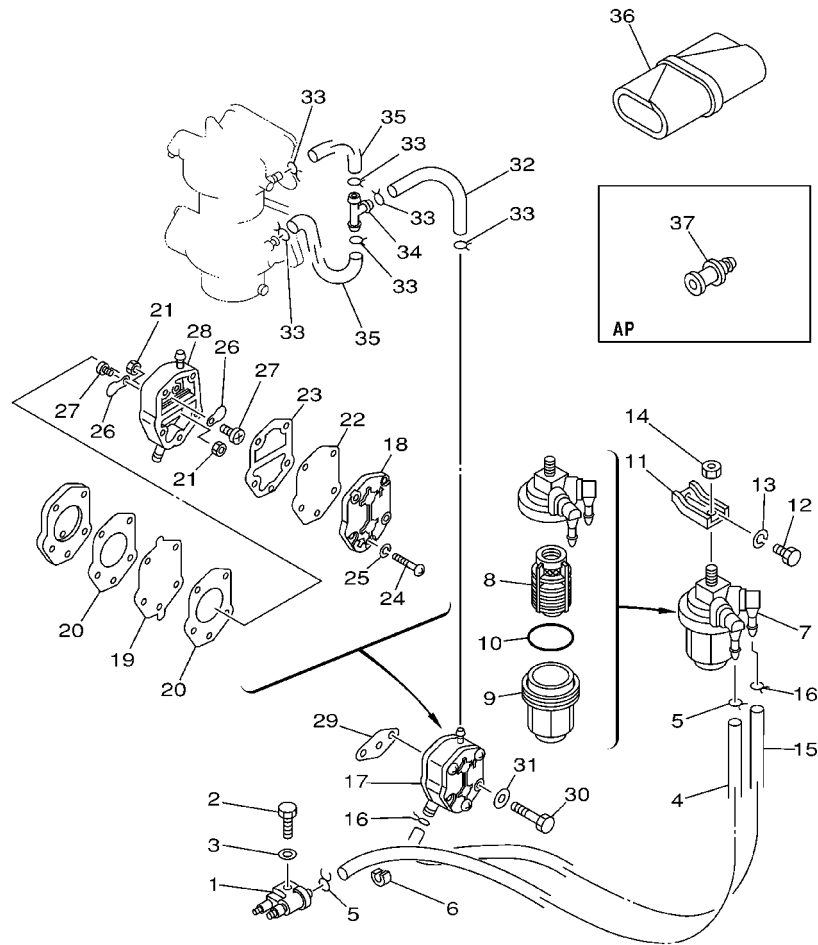


6971300-2030

REF. NO.	PART NO. NO. PIECES	DESCRIPTION DESCRIPTION	55B				REMARKS REMARQUES
55	98580-04006	.SCREW, PAN HEAD .VIS, TETE TRONCONIQUE	2				
56	6F0-14985-00	.FLOAT .FLOTTEUR	2				
57	663-14548-00	.PIN, FLOAT ARM .AXE, BRAS DE FLOTTEUR	2				
58	93210-64272	.O-RING .JOINT TORIQUE	2				
59	663-14980-00	.BODY, FLOAT CHAMBER .CORPS, CUVE DE FLOTTEUR	2				
60	97980-04112	.SCREW, WITH WASHER .VIS, AVEC RONDELLE	8				
61	6H3-14992-00	.SCREW, DRAIN .BOUCHON, PURGE	2				
62	93210-04230	.O-RING .JOINT TORIQUE	2				
63	6A1-83625-41	MARK 5 ETIQUETTE 5	1				
64	6A1-83625-51	MARK 5 ETIQUETTE 5	1				

FIG. 4 FUEL

CARBURANT



REF. NO.	PART NO. NO. PIECES	DESCRIPTION DESCRIPTION	55B	REMARKS REMARQUES
1	6G1-24304-02	FUEL PIPE JOINT COMP. 1 DURITE RACCORDEMT. A ESSENCE	1	
2	97095-06020	BOLT BOULON	1	
3	92995-06600	WASHER RONDELLE	1	
4	90445-09109	HOSE DURITE	1	
5	90467-08004	CLIP JONC	2	
6	90464-04011	CLAMP BRIDE	1	
7	61N-24560-00	FILTER ASSY ENS FILTRE	1	
8	61N-24563-00	.ELEMENT, FILTER .ELEMENT, FILTRE	1	
9	61N-24521-00	.CUP, FILTER .CUVETTE, FILTRE	1	
10	93210-32738	.O-RING .JOINT TORIQUE	1	
11	6E9-24566-70	BRACKET, FILTER SUPPORT, FILTRE	1	
12	97013-06014	BOLT BOULON	1	
13	92903-06100	WASHER, SPRING RONDELLE, GROWER	1	
14	95380-08600	NUT ECROU	1	
15	90445-09097	HOSE DURITE	1	
16	90467-08004	CLIP JONC	2	
17	692-24410-00	FUEL PUMP ASSY POMPE A ESSENCE	1	
18	6A0-24413-00	.BODY 2 .CORPS 2	1	
19	692-24411-00	.DIAPHRAGM .DIAPHRAGME	1	
20	648-24434-01	.GASKET, BODY .JOINT, CORPS	2	
21	95380-03600	.NUT ECROU	2	
22	663-24411-00	.DIAPHRAGM .DIAPHRAGME	1	
23	648-24435-02	.GASKET, BODY 2 .JOINT, CORPS 2	1	
24	98503-05028	.SCREW, PAN HEAD .VIS, TETE TRONCONIQUE	3	
25	92990-05100	.WASHER, SPRING .RONDELLE, GROWER	3	
26	6A0-24421-01	.VALVE, CHECK .SOUPAPE, RETENUE	2	
27	6A0-14325-00	.SCREW, PAN HEAD .VIS TETE CONIQUE	2	



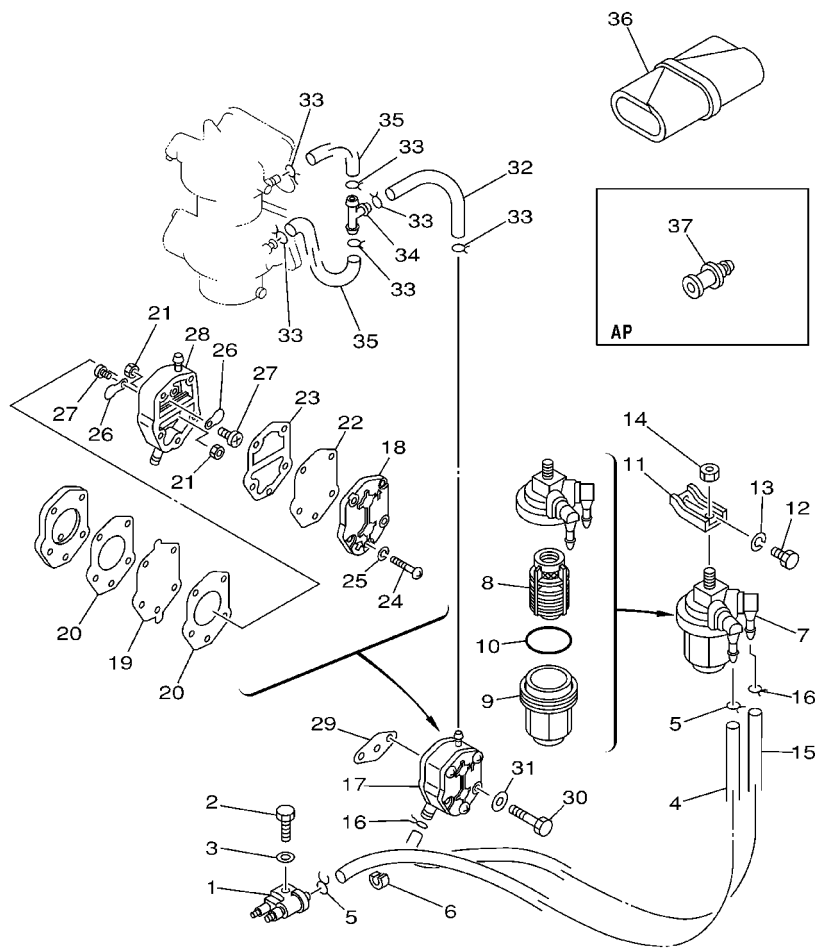
6970700-0040

B4

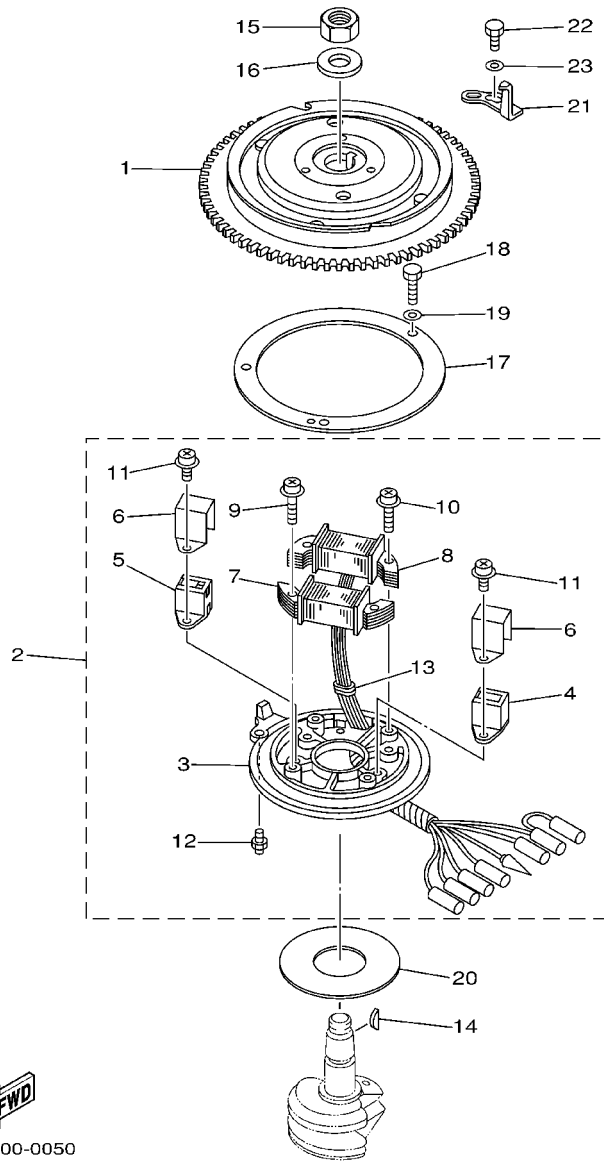
FIG. 4 FUEL

CARBURANT

REF. NO.	PART NO. NO. PIECES	DESCRIPTION DESCRIPTION	55B				REMARKS REMARQUES
28	6A0-24412-02	.BODY 1 .CORPS 1	1				
29	650-24431-A0	GASKET, FUEL PUMP 1 JOINT 1 DE POMPE A ESSENCE	1				
30	97095-06040	BOLT BOULON	2				
31	92995-06600	WASHER RONDELLE	2				
32	90445-09086	HOSE (L170) DURITE (L170)	1				
33	90467-08004	CLIP JONC	6				
34	688-24378-00	PIPE, JOINT 4 DURITE RACCORDEMENT 4	1				
35	90445-09061	HOSE (L65) DURITE (L65)	2				
36	656-W2810-02	TOOL KIT Trousse a outils	1				
37	626-28193-01-94	PLUG, WATER CHECK BOUCHON, CONTROLE D'EAU	1				AP D:15MM



6970700-0040



6970700-0050

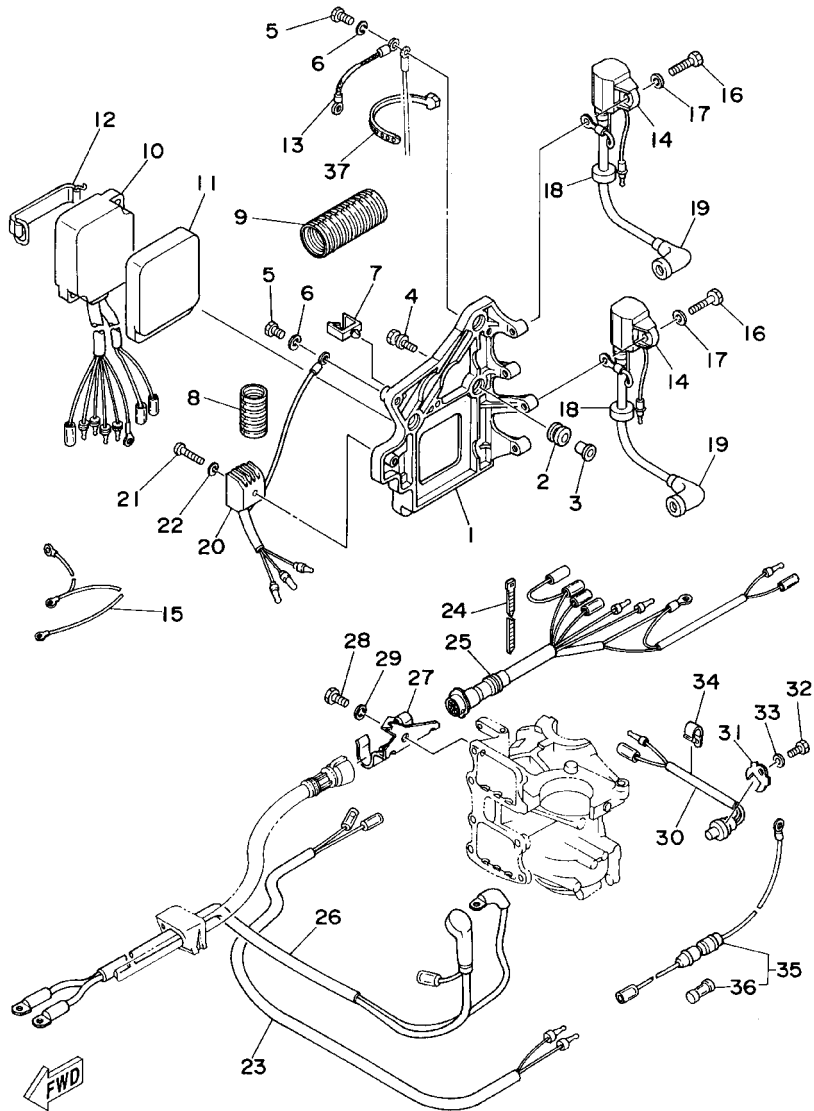
FIG. 5 GENERATOR

GENERATRICE

REF. NO.	PART NO. NO. PIECES	DESCRIPTION DESCRIPTION	55B				REMARKS REMARQUES
1	697-85550-00	ROTOR ASSY ROTOR CPLT	1				
2	697-85560-01	BASE ASSY ENS. FLASQUE	1				
3	697-85561-00	.BASE, MAGNETO .BASE, MAGNETO	1				
4	697-85580-00	.COIL, PULSER .BOBINE, PULSEUR	1				
5	697-85580-10	.COIL, PULSER .BOBINE, PULSEUR	1				
6	6F0-85599-A0	.COVER .COUVERCLE	2				
7	697-85520-02	.COIL, CHARGE .BOBINE, CHARGE	1				
8	697-85533-00	.COIL, LIGHTING .BOBINE, ECLAIRAGE	1				
9	97602-05130	.SCREW, PAN HEAD WITH WASHER .VIS HEXAGONAL	2				
10	97602-05132	.SCREW, PAN HEAD WITH WASHER .VIS HEXAGONAL	2				
11	97602-05114	.SCREW, PAN HEAD WITH WASHER .VIS HEXAGONAL	4				
12	663-85518-00	.JOINT, BALL .JOINT SPHERIQUE	1				
13	90480-06158	.GROMMET .PASSE-FIL	1				
14	90280-05015	KEY, WOODRUFF CLAVETTE, DEMI-LUNE	1				
15	90170-20137	NUT ECROU	1				
16	90201-21M18	WASHER, PLATE RONDELLE, PLATE	1				
17	663-41612-00	RETAINER, MAGNETO BASE FLASQUE, PLATEAU D'AVANCE	1				
18	97013-06020	BOLT BOULON	3				
19	92903-06600	WASHER, PLATE RONDELLE, PLATE	3				
20	663-41619-00	WASHER, MAGNETO RONDELLE, PLATEAU D'AVANCE	1				
21	697-81332-00	PLATE, TIMING PLATEAU, ALLUMAGE	1				
22	97095-06016	BOLT BOULON	1				
23	92995-06600	WASHER RONDELLE	1				

FIG. 6 ELECTRICAL 1

PARTIE ELECTRIQUE 1

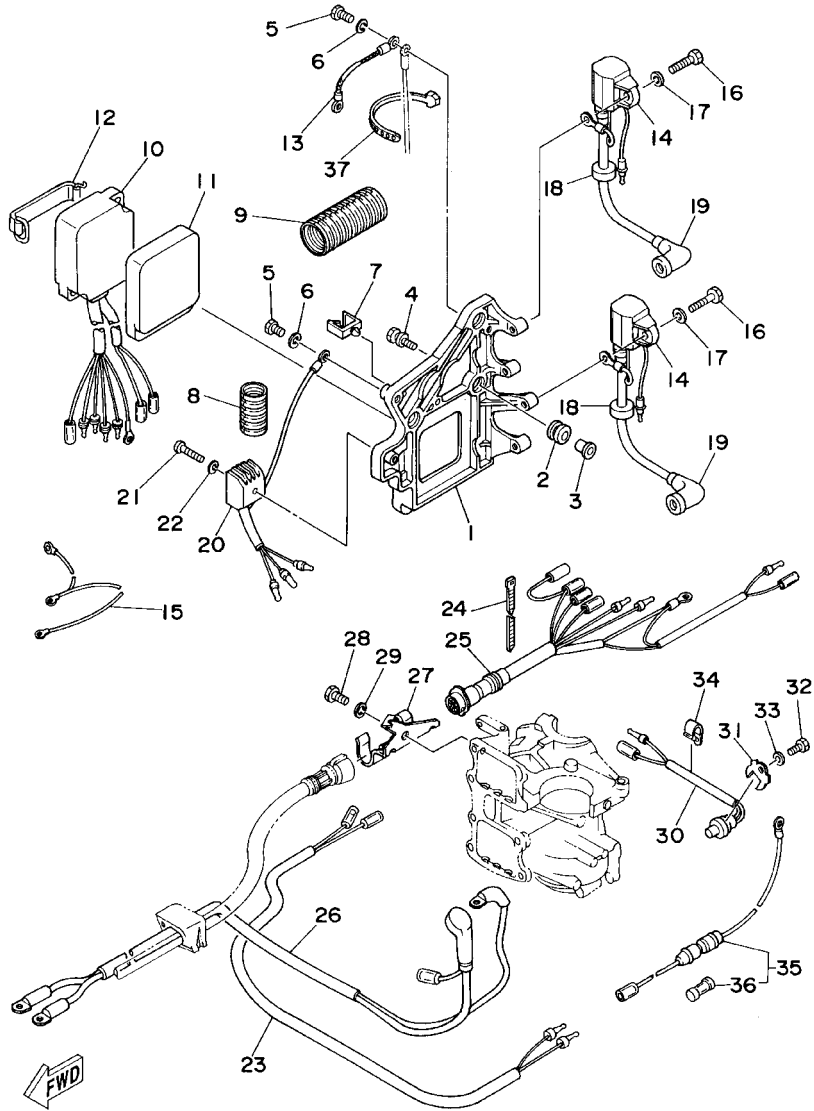


6960200-5090

REF. NO.	PART NO. NO. PIECES	DESCRIPTION DESCRIPTION	55B				REMARKS REMARQUES
1	663-85542-01-94	BRACKET SUPPORT	1				
2	6A0-82317-00	DAMPER, IGNITION COIL AMORTISSEUR, BOBINE D'ALLUM	3				
3	624-42542-00	PIPE TUYAU	3				
4	90119-06M59	BOLT, WITH WASHER BOULON, AVEC RONDELLE	3				
5	97095-06012	BOLT BOULON	2				
6	92995-06100	WASHER, SPRING RONDELLE, GROWER	2				
7	90464-07M10	CLAMP BRIDE	1				
8	6G5-83557-00	TUBE	1				
9	697-83557-00	TUBE	1				
10	697-85540-00	C.D.I. UNIT ASSY BLOC C.D.I.	1				
11	697-85547-00	DAMPER AMORTISSEUR	1				
12	663-82131-01	BAND, BATTERY BANDE, DE BATTERIE	1				
13	662-82519-00	WIRE, EARTH LEAD FIL, MASSE	1				
14	697-85570-00	IGNITION COIL ASSY BOBINE D'ALLUMAGE (ENS.)	2				
15	697-82519-00	WIRE, EARTH LEAD FIL, MASSE	1				
16	97095-06020	BOLT BOULON	2				
17	92995-06600	WASHER RONDELLE	2				
18	90480-25161	GROMMET PASSE-FIL	2				
19	6G1-82370-21	PLUG CAP ASSY ANTIPARASITE	2				
20	664-81970-61	RECTIFIER ASSY REDRESSEUR COMPLET	1				
21	97880-05030	SCREW, PAN HEAD VIS, TETE TRONCONIQUE	1				
22	92990-05100	WASHER, SPRING RONDELLE, GROWER	1				
23	697-81971-11	WIRE, LEAD FIL	1				
24	90465-13M11	CLAMP BRIDE	2				
25	697-82590-21	WIRE HARNESS ASSY FAISCEAU DE FILS COMPLET	1				
26	697-82105-20	WIRE HARNESS FAISCEAU DE FILS	1				
27	697-82594-00	CLAMP BRIDE	1				

FIG. 6 ELECTRICAL 1

PARTIE ELECTRIQUE 1



6960200-5090

REF. NO.	PART NO. NO. PIECES	DESCRIPTION DESCRIPTION	55B				REMARKS REMARQUES
28	97095-08016	BOLT BOULON	1				
29	92995-08600	WASHER RONDELLE	1				
30	688-82560-00	THERMO SWITCH ASSY THERMO-CONTACT COMPLET	1				
31	663-82588-00	PLATE PLAQUE	1				
32	97013-06010	BOLT BOULON	1				
33	92903-06100	WASHER, SPRING RONDELLE, GROWER	1				
34	90465-06M86	CLAMP BRIDE	1				
35	682-82150-10	FUSE HOLDER ASSY SUPPORT DE FUSIBLE	1				
36	663-82151-00	.FUSE (12V-20A) .FUSIBLE (12V-20A)	1				
37	90465-13M39	CLAMP BRIDE	1				

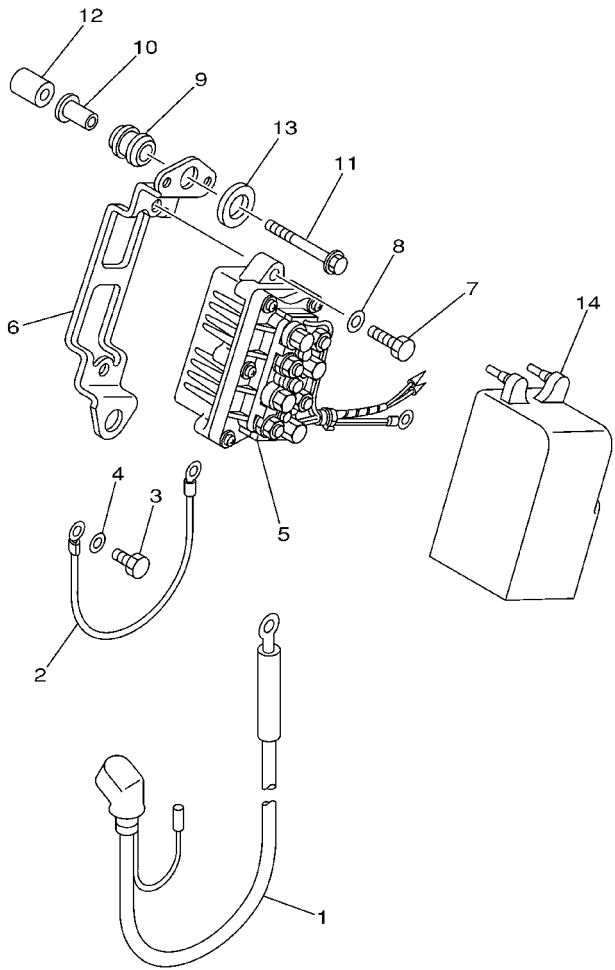


FIG. 7 ELECTRICAL 2

PARTIE ELECTRIQUE 2

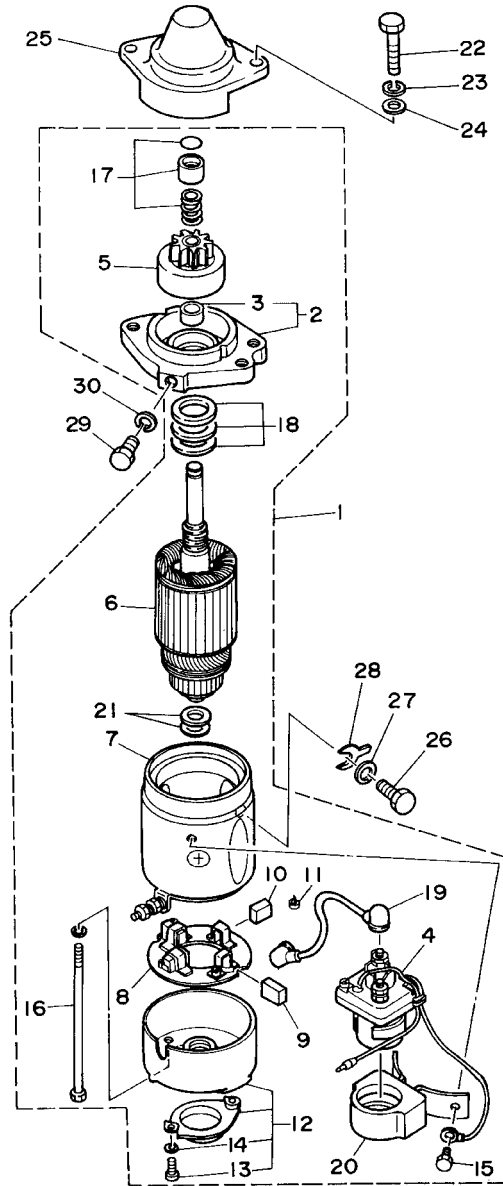
REF. NO.	PART NO. NO. PIECES	DESCRIPTION DESCRIPTION	55B	REMARKS REMARQUES
1	697-82117-00	WIRE, LEAD FIL	1	
2	61A-81949-00	WIRE, LEAD FIL	1	
3	97013-06012	BOLT BOULON	1	
4	92903-06600	WASHER, PLATE RONDELLE, PLATE	1	
5	697-81950-00	RELAY ASSY RELAIS COMPLET	1	
6	697-81945-00	PLATE, SWITCH FITTING PLAQUE, FIXATION DU RELAIS	1	
7	97095-06020	BOLT BOULON	2	
8	92995-06600	WASHER RONDELLE	2	
9	6A0-82317-00	DAMPER, IGNITION COIL AMORTISSEUR, BOBINE D'ALLUM	2	
10	624-42542-00	PIPE TUYAU	2	
11	95895-06045	BOLT, FLANGE BOULON, A COLLERETTE	2	
12	90387-06M38	COLLAR COLLERETTE	2	
13	90201-12M16	WASHER, PLATE RONDELLE, PLATE	2	
14	697-82154-00	CASE CAISSE	1	



6970700-0070

FIG. 8 STARTING MOTOR

DEMARREUR ELECTRIQUE

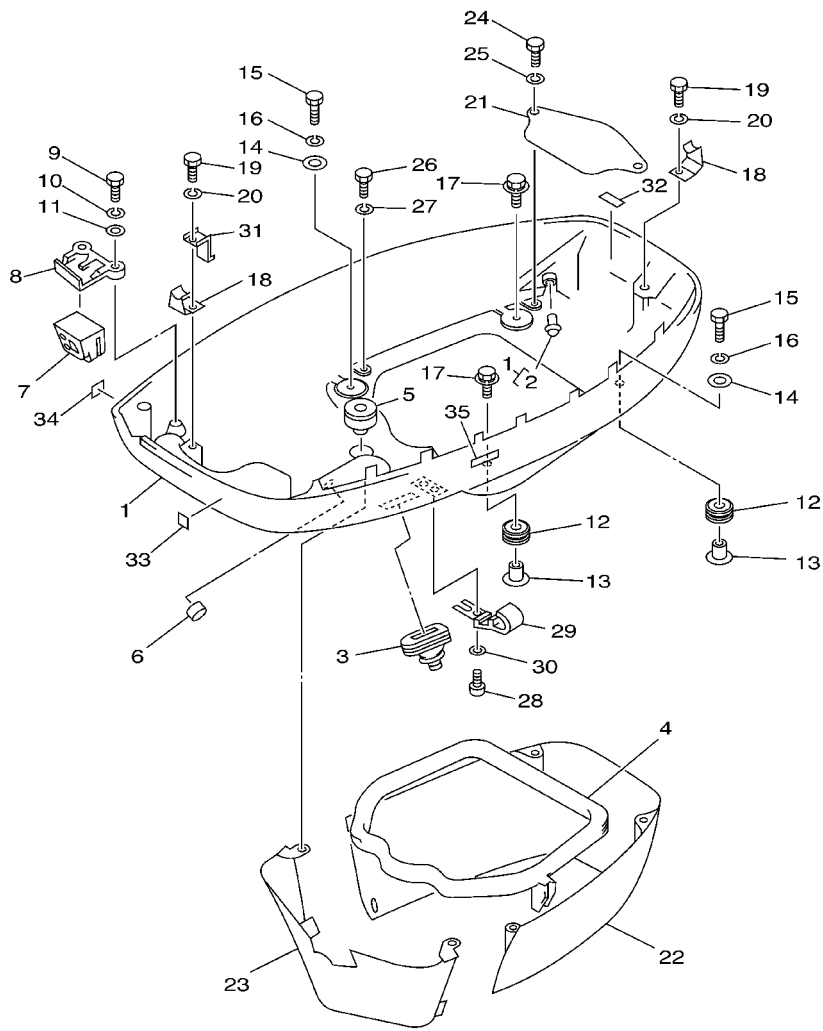


6970700-4080

REF. NO.	PART NO. NO. PIECES	DESCRIPTION DESCRIPTION	55B				REMARKS REMARQUES
1	697-81800-13	STARTING MOTOR ASSY DEMARREUR ELECTRIQUE COMPLET	1				
2	676-81830-10	.FRONT BRACKET ASSY .SUPPORT AVANT	1				
3	688-81831-00	..METAL, FRONT ..METAL, AVANT	1				
4	682-81941-11	.STARTER RELAY ASSY .LANCEUR RELAIS (ENS.)	1				
5	663-81832-12	.PINION ASSY ..PIGNON D'ATTAQUE (ENS.)	1				
6	676-81850-12	.ARMATURE ASSY .INDUIT	1				
7	663-81810-11	.STATOR ASSY .STATOR COMPLET	1				
8	663-81840-11	.BRUSH HOLDER ASSY .SUPPORT DE CHARBON	1				
9	663-81811-11	.BRUSH 1 .CHARBON 1	2				
10	663-81812-11	.BRUSH 2 .CHARBON 2	2				
11	663-81813-10	.SPRING, BRUSH ..RESSORT, DE CHARBON	4				
12	663-81820-12	.REAR BRACKET ASSY .SUPPORT ARRIERE COMPLET	1				
13	98503-04012	..SCREW, PAN HEAD ..VIS, TETE TRONCONIQUE	2				
14	92901-04100	..WASHER, SPRING ..RONDELLE, GROWER	2				
15	97313-06010	BOLT BOULON	2				
16	663-81826-10	BOLT BOULON	2				
17	697-81857-12	.PINION STOPPER SET .BUTEE PIGNON	1				
18	697-81809-10	.WASHER KIT .JEU DE RONDELLES	1				
19	697-81815-10	.CORD, STARTER MOTOR .FIL, DEMARREUR ELECTRIQUE	1				
20	697-81952-10	.HOLDER, RELAY .SUPPORT, RELAIS	1				
21	688-81824-00	.WASHER 2 ..RONDELLE 2	2				
22	97013-08040	BOLT BOULON	2				
23	92903-08100	WASHER, SPRING RONDELLE, GROWER	2				
24	92903-08600	WASHER, PLATE RONDELLE, PLATE	2				
25	663-81842-01-94	COVER COUVERCLE	1				
26	97013-08025	BOLT BOULON	1				
27	92903-08100	WASHER, SPRING RONDELLE, GROWER	1				

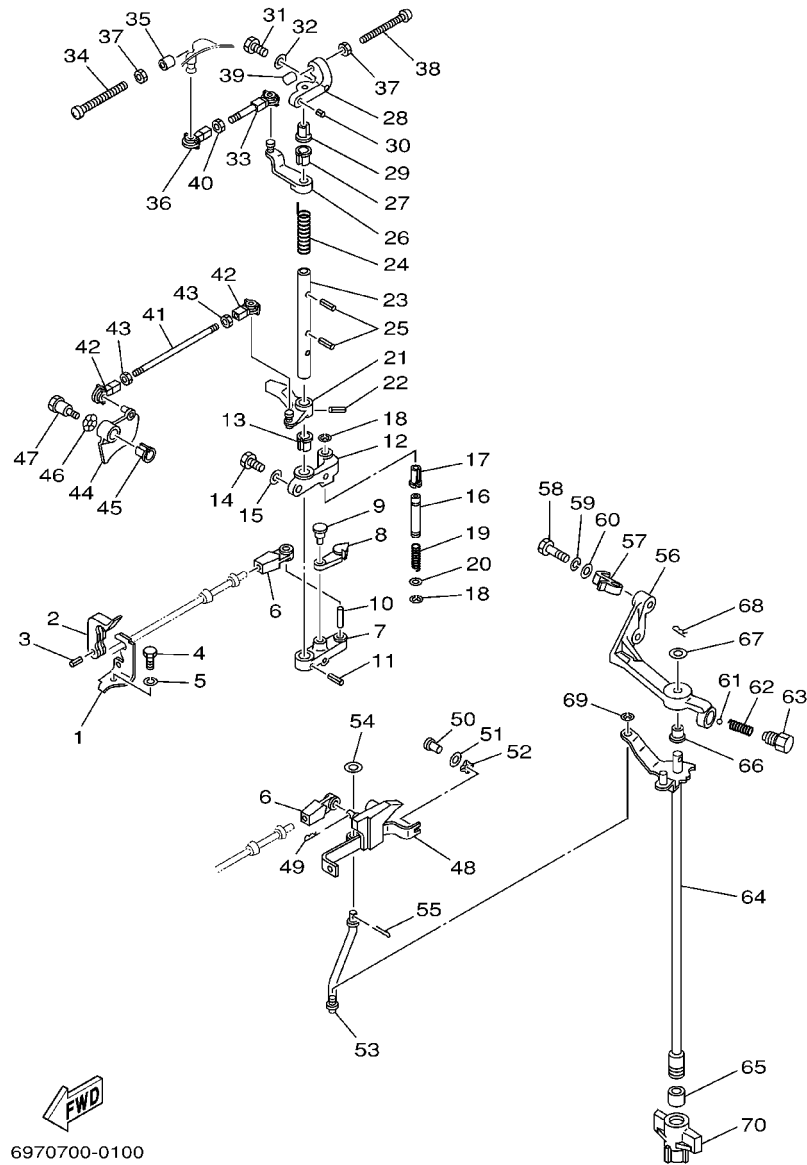
FIG. 9 BOTTOM COWLING

CAPOT INFERIEUR



6971300-2090

REF. NO.	PART NO. NO. PIECES	DESCRIPTION DESCRIPTION	55B				REMARKS REMARQUES
1	697-42711-02-4D	COWLING, BOTTOM CUVETTE	1				
2	663-24376-00	.PIPE, JOINT 1 .DURITE 1, RACCORDEMENT	1				
3	688-42726-10	GROMMET PASSE-FIL	1				
4	663-42716-01	RUBBER, SEAL 1 JOINT EN CAOUTCHOUC 1	1				
5	663-42724-00	GROMMET PASSE-FIL	1				
6	90480-12004	GROMMET PASSE-FIL	1				
7	663-42725-01	GROMMET PASSE-FIL	1				
8	663-42738-03-94	PLATE, FITTING ETRIER	1				
9	97095-06016	BOLT BOULON	2				
10	92995-06100	WASHER, SPRING RONDELLE, GROWER	2				
11	92995-06600	WASHER RONDELLE	2				
12	90480-09M12	GROMMET PASSE-FIL	4				
13	90387-06M03	COLLAR COLLERETTE	4				
14	90201-06416	WASHER, PLATE RONDELLE, PLATE	2				
15	97095-06030	BOLT BOULON	2				
16	92995-06100	WASHER, SPRING RONDELLE, GROWER	2				
17	90119-06M08	BOLT, WITH WASHER BOULON, AVEC RONDELLE	2				
18	663-42744-02	STAY SUPPORT	2				
19	97095-06014	BOLT BOULON	2				
20	92995-06100	WASHER, SPRING RONDELLE, GROWER	2				
21	663-42723-01-94	COVER, BOTTOM COUVERCLE	1				
22	663-42741-01-4D	APRON CAPOT LATERAL	1				
23	663-42771-02-4D	APRON CAPOT LATERAL	1				
24	97095-06020	BOLT BOULON	2				
25	92995-06100	WASHER, SPRING RONDELLE, GROWER	2				
26	97095-06025	BOLT BOULON	2				
27	92995-06100	WASHER, SPRING RONDELLE, GROWER	2				

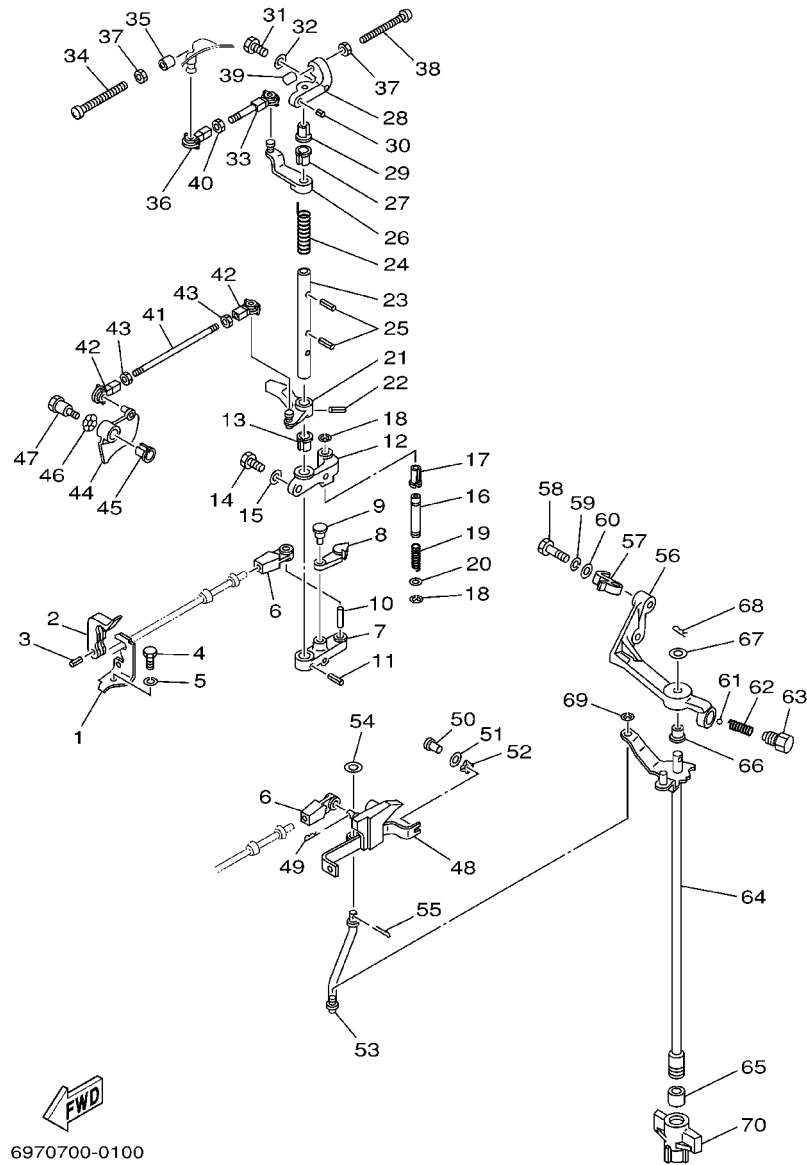


6970700-0100

FIG. 10 CONTROL

COMMANDE

REF. NO.	PART NO. NO. PIECES	DESCRIPTION DESCRIPTION	55B				REMARKS REMARQUES
1	663-48531-00	BRACKET, REMOTE CONTROL ETRIER 1, COMMANDE A DISTANCE	1				
2	663-48538-00	CLAMP, CABLE 1 COLLIER	1				
3	91690-30012	PIN, SPRING GOUILLE, ELASTIQUE	1				
4	97095-08016	BOLT BOULON	1				
5	92995-08100	WASHER RONDELLE	1				
6	663-48344-00	CABLE END, REMOTE CONTROL CHAPE CABLE	2				
7	663-41632-00-94	LEVER, MAGNETO CONTROL LEVIER, COMMANDE D'AVANCE	1				
8	663-41282-00	STOPPER, FREE ACCEL. LINK VERROU	1				
9	90249-05125	PIN GOUILLE	1				
10	93607-23110	PIN, DOWEL GOUJON	1				
11	91690-30018	PIN, SPRING GOUILLE, ELASTIQUE	1				
12	663-41662-00-94	BRACKET SUPPORT	1				
13	90386-10009	BUSH DOUILLE	1				
14	97095-06018	BOLT BOULON	2				
15	92995-06600	WASHER RONDELLE	2				
16	663-44114-00	STOPPER PLAQUETTE	1				
17	90386-06M39	BUSH DOUILLE	1				
18	99080-05600	CIRCLIP CIRCLIP	2				
19	90501-08232	SPRING, COMPRESSION RESSORT, COMPRESSION	1				
20	92903-06600	WASHER, PLATE RONDELLE, PLATE	1				
21	663-41633-00-94	LEVER, MAGNETO CONTROL LEVIER, COMMANDE D'AVANCE	1				
22	91690-30018	PIN, SPRING GOUILLE, ELASTIQUE	1				
23	663-41635-00	SHAFT, LINK CONNECTING AXE, RACCORD	1				
24	90508-20169	SPRING, TORSION RESSORT, TORSION	1				
25	91690-30018	PIN, SPRING GOUILLE, ELASTIQUE	2				
26	663-41631-00-94	LEVER, MAGNETO CONTROL LEVIER, COMMANDE D'AVANCE	1				
27	90386-10009	BUSH DOUILLE	1				



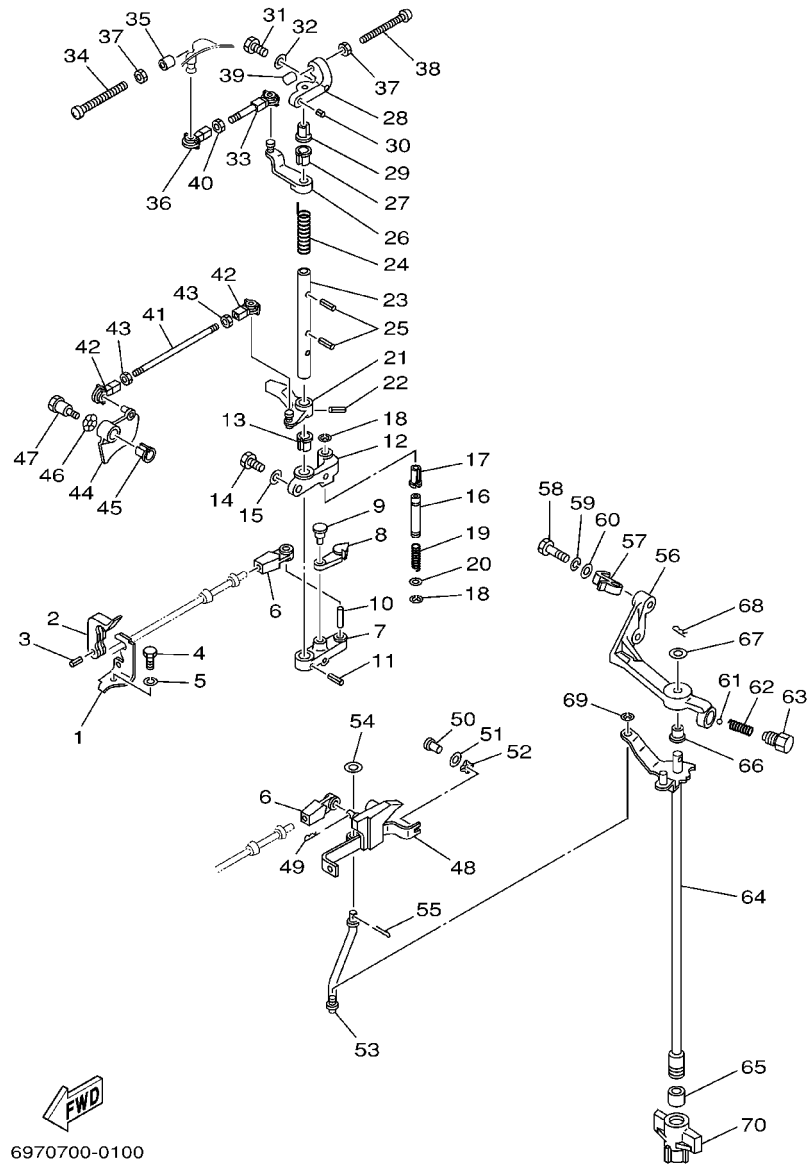
6970700-0100

FIG. 10 CONTROL

COMMANDE

REF. NO.	PART NO. NO. PIECES	DESCRIPTION DESCRIPTION	55B				REMARKS REMARQUES
28	663-41661-00-94	BRACKET SUPPORT	1				
29	90386-10009	BUSH DOUILLE	1				
30	91690-40010	PIN, SPRING GOUPILLE, ELASTIQUE	1				
31	97095-06018	BOLT BOULON	1				
32	92995-06600	WASHER RONDELLE	1				
33	688-41636-00	ROD, MAGNETO CONTROL BIELLETTE, COMMANDE D'AVANCE	1				
34	90157-06M11	SCREW, PAN HEAD VIS, TETE TRONCONIQUE	1				
35	688-44194-00	CAP CAPUCHON	1				
36	662-41237-01	JOINT, LINK RACCORD	1				
37	95380-06700	NUT ECROU	2				
38	90157-06M12	SCREW, PAN HEAD VIS, TETE TRONCONIQUE	1				
39	663-44194-00	CAP CAPUCHON	1				
40	95380-05600	NUT ECROU	1				
41	697-41211-00	LINK, ACCEL. BIELLETTE, ACCELERATION	1				
42	6H4-41237-00	JOINT, LINK RACCORD	2				
43	95380-05600	NUT ECROU	2				
44	663-41213-01-94	CAM, ACCEL. CAME, ACCELERATION	1				
45	90386-10009	BUSH DOUILLE	1				
46	90206-10M04	WASHER, WAVE RONDELLE, ONDULEE	1				
47	90109-06260	BOLT BOULON	1				
48	663-44117-01	BRACKET SUPPORT	1				
49	90468-18008	CLIP JONC	1				
50	90241-06M00	PIN GOUPILLE	1				
51	92903-06600	WASHER, PLATE RONDELLE, PLATE	1				
52	90206-06040	WASHER, WAVE RONDELLE, ONDULEE	1				
53	663-44121-01	LEVER, SHIFT ROD LEVIER, TIGE D'INVERSION	1				
54	92903-06600	WASHER, PLATE RONDELLE, PLATE	1				

D1



6970700-0100

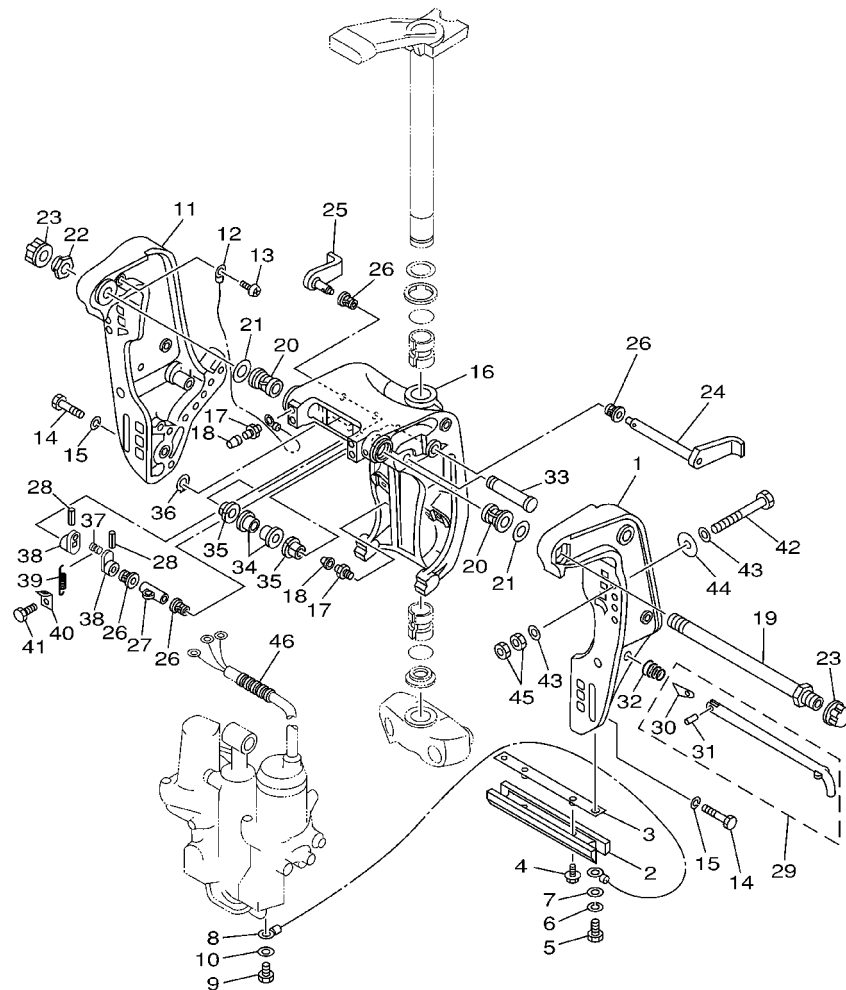
FIG. 10 CONTROL

COMMANDE

REF. NO.	PART NO. NO. PIECES	DESCRIPTION DESCRIPTION	55B				REMARKS REMARQUES
55	91490-16012	PIN, COTTER GOUPILLE, FENDUE	1				
56	688-44118-00-94	BRACKET SUPPORT	1				
57	90462-05M02	CLAMP BRIDE	1				
58	97013-08030	BOLT BOULON	2				
59	92903-08100	WASHER, SPRING RONDELLE, GROWER	2				
60	92903-08600	WASHER, PLATE RONDELLE, PLATE	2				
61	93501-04M02	BALL BILLE	1				
62	90501-12082	SPRING, COMPRESSION RESSORT, COMPRESSION	1				
63	648-42715-00	BUSHING COUSSINET	1				
64	697-44120-12	HANDLE GEAR SHIFT ASSY LEVIER D'EMBRAYAGE	1				
65	696-44147-00	BOOT, SHIFT ROD SOUFFLET, TIGE D'INVERSION	1				
66	90386-08006	BUSH DOUILLE	1				
67	92990-08200	WASHER, PLAIN RONDELLE, PLATE	1				
68	90468-18008	CLIP JONC	1				
69	99080-05600	CIRCLIP CIRCLIP	1				
70	697-43662-00	GUIDE, REVERSE ROD GUIDE, TIGE DE VERROUILLAGE	1				

FIG. 11 BRACKET 1

SUPPORT 1

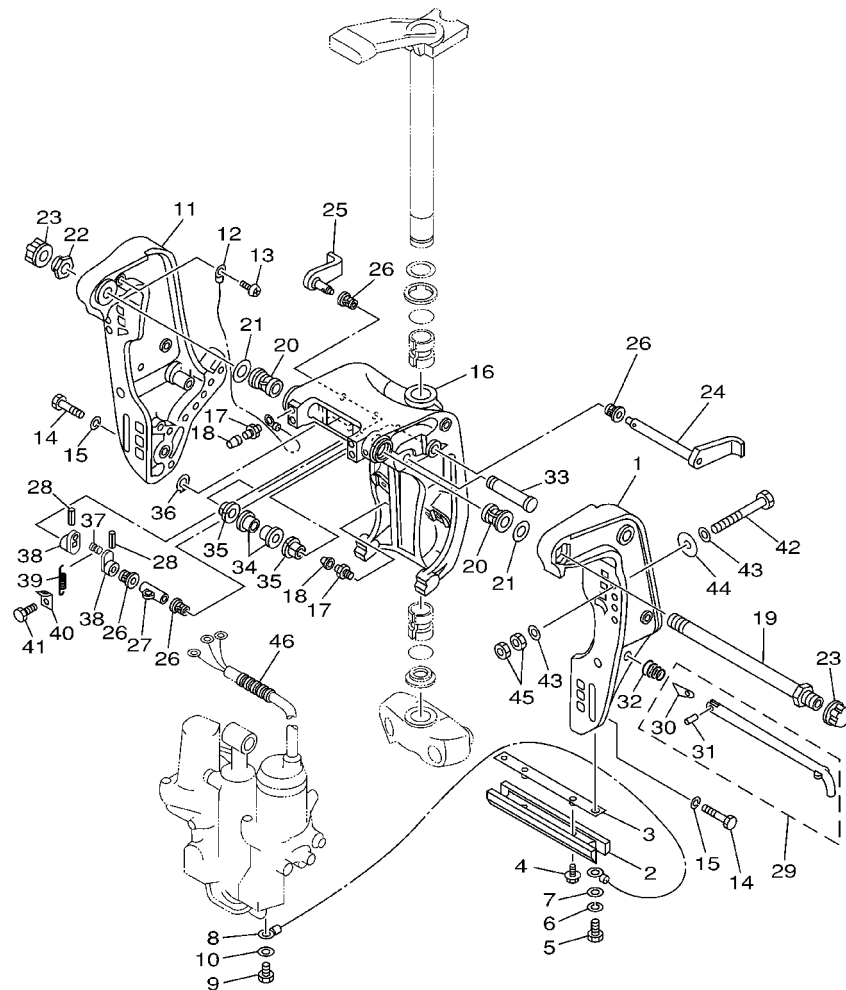


6970700-0110

REF. NO.	PART NO. NO. PIECES	DESCRIPTION DESCRIPTION	55B				REMARKS REMARQUES
1	6H1-43111-01-4D	BRACKET, CLAMP PRESSE	1				
2	6H1-45251-03	ANODE ANODE	1				
3	6H1-44526-00	PLATE PLAQUE	1				
4	90119-06M29	BOLT, WITH WASHER BOULON, AVEC RONDELLE	2				
5	97095-06016	BOLT BOULON	2				
6	92995-06100	WASHER, SPRING RONDELLE, GROWER	2				
7	92995-06600	WASHER RONDELLE	2				
8	6H1-82148-00	WIRE, LEAD 4 FIL 4	1				
9	97095-06010	BOLT BOULON	1				
10	92995-06600	WASHER RONDELLE	1				
11	6H1-43112-00-4D	BRACKET, CLAMP PRESSE	1				
12	6E5-82148-00	WIRE, LEAD 4 FIL 4	1				
13	97880-06012	SCREW, PAN HEAD VIS, TETE TRONCONIQUE	1				
14	97095-10045	BOLT BOULON	6				
15	92995-10100	WASHER RONDELLE	6				
16	6H1-43311-01-4D	BRACKET, SWIVEL 1 SUPPORT, PIVOT 1	1				
17	93700-06M03	NIPPLE, GREASE GRAISSEUR	3				
18	663-45119-00	CAP, GREASE NIPPLE CAPUCHON, GRAISSEUR	3				AP
19	688-43131-03	BOLT, CLAMP BRACKET BOULON, PRESSE	1				
20	90386-22M15	BUSH DOUILLE	2				
21	90201-22M67	WASHER, PLATE RONDELLE, PLATE	2				
22	90185-22043	NUT, SELF-LOCKING ECROU, AUTO-BLOCANT	1				
23	6G5-43145-01	CAP, CLAMP BRACKET CAPUCHON, PRESSE	2				
24	6H1-43181-01	LEVER, TILT STOP LEVIER, VERROUILLAGE RELEVAGE	1				
25	6H1-43185-01	LEVER, TILT STOP LEVIER, VERROUILLAGE RELEVAGE	1				
26	90386-10M16	BUSH DOUILLE	4				
27	90387-10M02	COLLAR COLLERETTE	1				

FIG. 11 BRACKET 1

SUPPORT 1

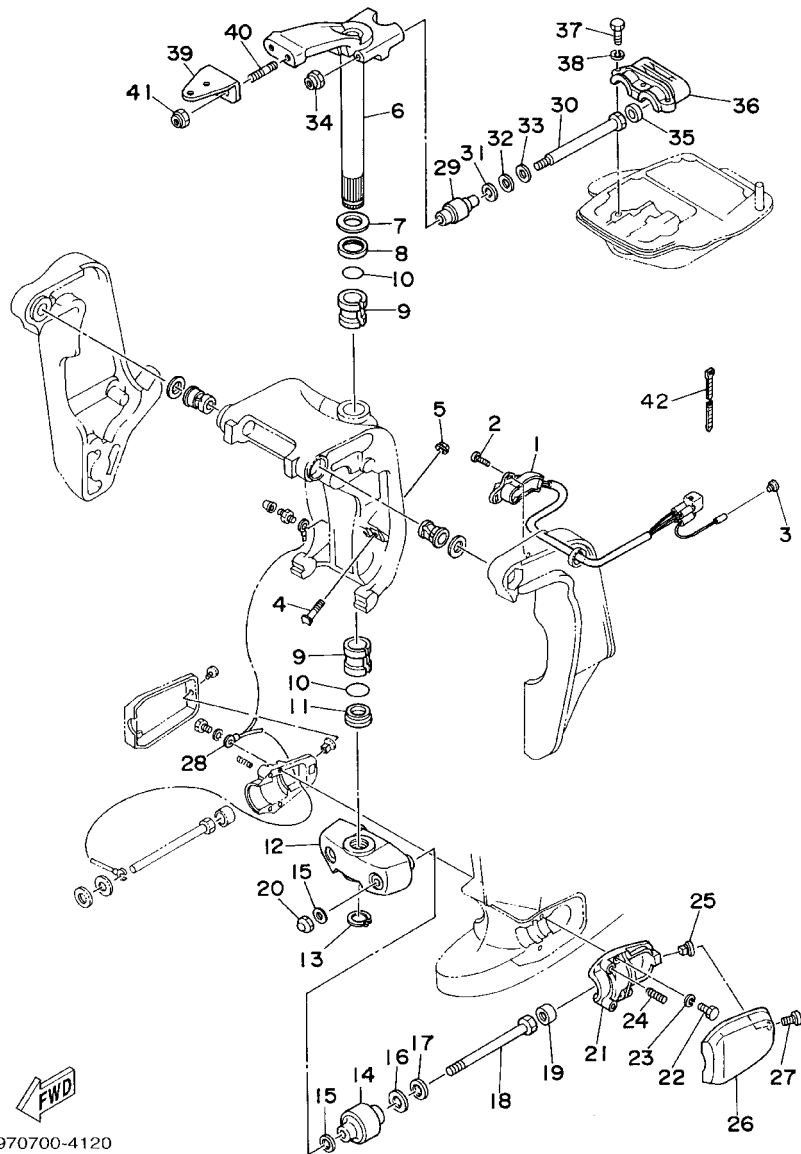


6970700-0110

REF. NO.	PART NO. NO. PIECES	DESCRIPTION DESCRIPTION	55B				REMARKS REMARQUES
28	91690-30020	PIN, SPRING GOUPILLE, ELASTIQUE	2				
29	688-43160-01	TILT ROD ASSY BROCHE D'INCLINAISON (ENS.)	1				
30	688-43165-00	.PLATE, TILT LOCK .TAQUET, BROCHE INCLINAISON	1				
31	91690-30012	.PIN, SPRING .GOUPILLE, ELASTIQUE	1				
32	90502-16M02	SPRING, CONICAL RESSORT, CONIQUE	1				
33	6E5-43126-02	PIN, UPPER SHOCK MOUNT AXE, SUPERIEUR AMORTISSEUR	1				
34	90386-18M63	BUSH DOUILLE	2				
35	90386-18M35	BUSH DOUILLE	2				
36	93410-18M02	CIRCLIP CIRCLIP, TYPE S	1				
37	90249-06M19	PIN GOUPILLE	1				
38	6G5-43148-00	COLLAR, DISTANCE ENTRETOISE	2				
39	90506-14M24	SPRING, TENSION RESSORT, TENSION	1				
40	6G5-43144-00	HOOK, SPRING CROCHET	1				
41	97095-06010	BOLT BOULON	1				
42	90101-12M51	BOLT BOULON	4				
43	92995-12200	WASHER RONDELLE	8				
44	90201-12426	WASHER, PLATE RONDELLE, PLATE	4				
45	95380-12600	NUT ECROU	8				
46	90440-14M00	PIPE DURITE	1				

FIG. 12 BRACKET 2

SUPPORT 2

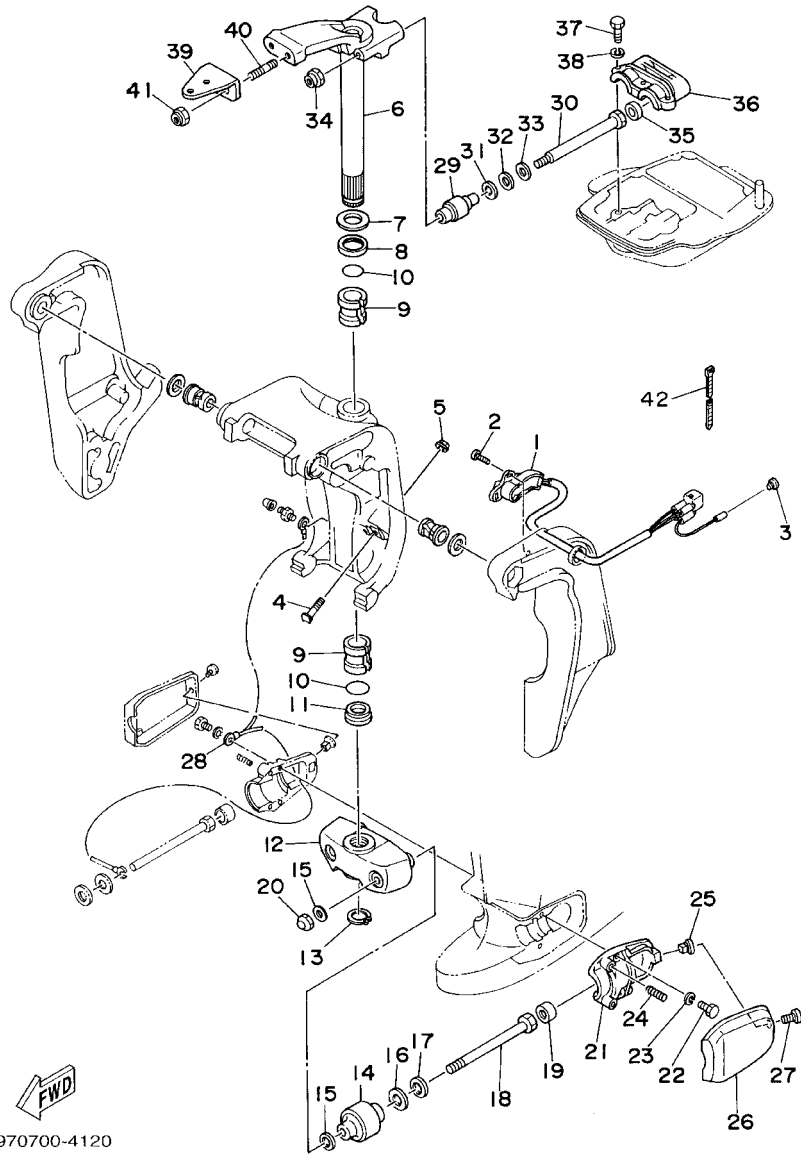


6970700-4120

REF. NO.	PART NO. NO. PIECES	DESCRIPTION DESCRIPTION	55B				REMARKS REMARQUES
1	6H1-83672-12	TRIM SENDER INCLINER RACCORD	1				
2	97885-06016	SCREW, PAN HEAD VIS, TETE TRONCONIQUE	2				
3	703-82119-00	COVER, LEAD WIRE GARNITURE, FIL	1				
4	6H1-43376-00	BOLT, THRUST RECEIVER BOULON	2				
5	90185-08057	NUT, SELF-LOCKING ECROU, AUTO-BLOCANT	2				
6	663-42510-13-4D	STEERING BRACKET ASSY DIRECTION SUPPORT (ENS.)	1				
7	90201-30M00	WASHER, PLATE RONDELLE, PLATE	1				
8	90386-30M78	BUSH DOUILLE	1				
9	90386-30M77	BUSH DOUILLE	2				
10	93210-29M94	O-RING JOINT TORIQUE	2				
11	90386-30M60	BUSH DOUILLE	1				
12	663-44551-02-4D	HOUSING, LOWER MOUNT RUBBER BOITIER, SILENT-BLOC INFERIEUR	1				
13	93410-28M06	CIRCLIP CIRCLIP, TYPE S	1				
14	687-44555-00-94	MOUNT DAMPER, LOWER SIDE SILENT-BLOC, INFERIEUR LATERAL	2				
15	90201-12M16	WASHER, PLATE RONDELLE, PLATE	4				
16	90202-25M04	WASHER, PLATE RONDELLE, PLATE	2				
17	90201-13M19	WASHER, PLATE RONDELLE, PLATE	2				
18	90109-12261	BOLT BOULON	2				
19	663-44575-00	DAMPER, LOWER MOUNT RUBBER SILENT-BLOC, INFERIEUR	2				
20	95380-12800	NUT, CROWN ECROU, BORGNE	2				
21	687-44552-02-94	HOUSING, LOWER MOUNT RUBBER BOITIER, SILENT-BLOC INFERIEUR	2				
22	97075-08025	BOLT BOULON	4				
23	92995-08100	WASHER RONDELLE	4				
24	90501-14M08	SPRING, COMPRESSION RESSORT, COMPRESSION	4				
25	90179-06066	NUT ECROU	2				
26	663-44553-01-4D	COVER, LOWER MOUNT COUVERCLE, SUSPENSION INFERIEUR	2				
27	97885-06016	SCREW, PAN HEAD VIS, TETE TRONCONIQUE	2				

FIG. 12 BRACKET 2

SUPPORT 2

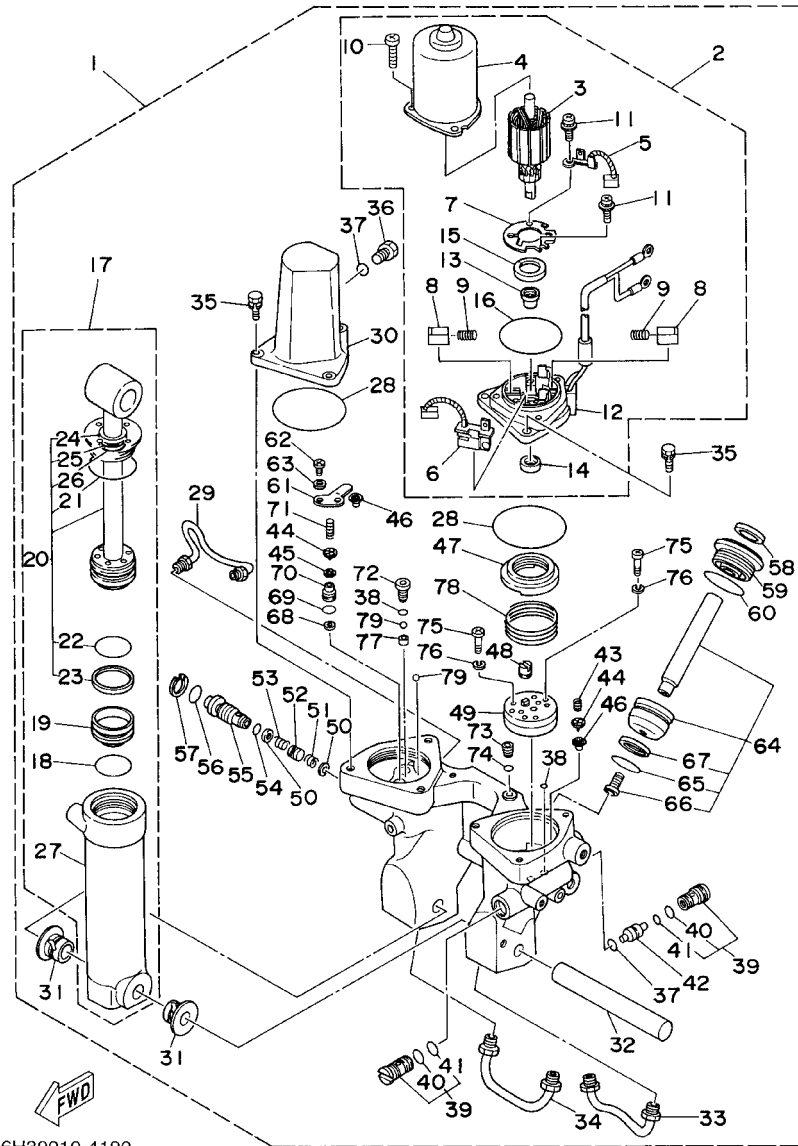


6970700-4120

REF. NO.	PART NO. NO. PIECES	DESCRIPTION DESCRIPTION	55B				REMARKS REMARQUES
28	688-82127-02	WIRE, LEAD 2 FIL 2	1				
29	670-44514-00-94	MOUNT DAMPER, UPPER SIDE SILENT-BLOC, SUPERIEUR LATERAL	2				
30	90109-08262	BOLT BOULON	2				
31	90201-15423	WASHER, PLATE RONDELLE, PLATE	2				
32	90202-15065	WASHER, PLATE RONDELLE, PLATE	2				
33	90201-09425	WASHER, PLATE RONDELLE, PLATE	2				
34	90185-08045	NUT, SELF-LOCKING ECROU, AUTO-BLOCANT	2				
35	663-44533-00	DAMPER, UPPER MOUNT RUBBER COUVERCLE, SUSPENSION INFERIEU	2				
36	663-44511-00-94	COVER, UPPER MOUNT COUVERCLE, SUSPENSION SUPERIEU	1				
37	97075-08035	BOLT BOULON	3				
38	92995-08100	WASHER RONDELLE	3				
39	688-48511-01-4D	HOOK, STEERING ATTACHE, DIRECTION	1				
40	90116-10175	BOLT, STUD GOUJON	2				
41	90185-10051	NUT, SELF-LOCKING ECROU, AUTO-BLOCANT	2				
42	90465-11M10	CLAMP BRIDE	3				

FIG. 13 POWER TRIM & TILT ASSY

PUISSANCE PARER ET INCLINER

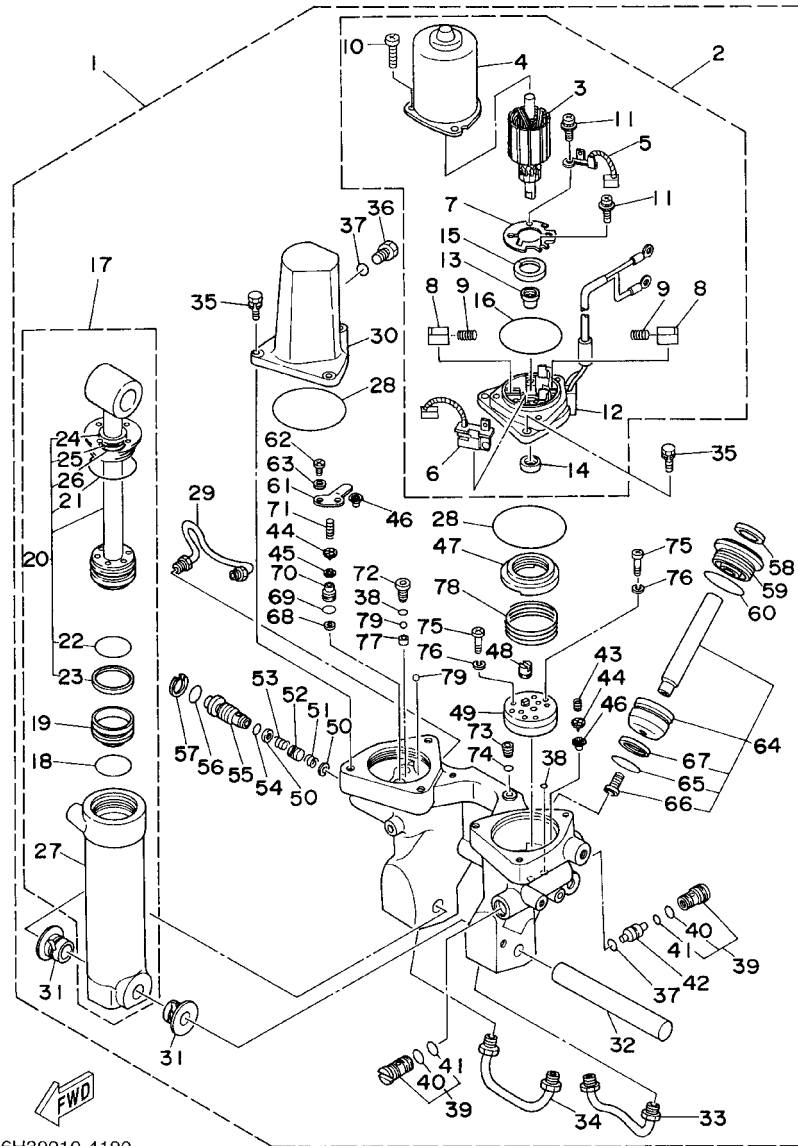


6H30010-4190

REF. NO.	PART NO. NO. PIECES	DESCRIPTION DESCRIPTION	55B				REMARKS REMARQUES
1	62F-43800-03-4D	POWER TRIM & TILT ASSY PUISSANCE PARER ET INCLINER (ENS.)	1				
2	6H1-43880-02	..MOTOR ASSY ..MOTEUR (ENS.)	1				
3	6H1-43805-10	..ARMATURE ASSY ..INDUIT (ENS.)	1				
4	6H1-43804-10	..STATOR ASSY ..STATOR (ENS.)	1				
5	6H1-43891-10	..BRUSH 1 ..BALAI 1	1				
6	6H1-43892-10	..BRUSH 2 ..BALAI 2	1				
7	6H1-4380F-10	..PLATE, BRUSH HOLDER ..PLAQUE	1				
8	6H1-4380J-10	..HOLDER, BRUSH ..PORTE-BALAI	2				
9	6H1-4386K-10	..SPRING, BRUSH ..RESSORT, BALAI	2				
10	97885-05016	..SCREW, PAN HEAD ..VIS, TETE TRONCONIQUE	3				
11	97607-04310	..SCREW, PAN HEAD WITH WASHER ..VIS HEXAGONAL	2				
12	6H1-43881-10	..FRAME, END ..BATI	1				
13	6H1-4380H-10	..METAL ..METAL	1				
14	93102-08M43	..OIL SEAL ..JOINT SPY	1				
15	6H1-4380G-10	..PLATE ..PLAQUE	1				
16	6H1-43865-10	..O-RING ..JOINT TORIQUE	1				
17	6H1-43840-11	..POWER TILT ASSY ..PUISSANCE INCLINER (ENS.)	1				
18	6H1-43861-10	..O-RING ..JOINT TORIQUE	1				
19	6H1-43814-11	..PISTON, FREE ..PISTON	1				
20	6H1-43810-11	..TILT PISTON SUB ASSY ..INCLINER PISTON AUXILIAIRE (ENS)	1				
21	6H1-43861-00	...O-RING ...JOINT TORIQUE	1				
22	6H1-43861-10	...O-RING ...JOINT TORIQUE	1				
23	6H1-43871-10	...RING, BACK UP ...SEGMENT	1				
24	6H1-43812-00	...SEAL, DUST ...JOINT	1				
25	6H1-43872-10	...RING, BACK UP ...RESSORT	1				
26	93210-18397	...O-RING ...JOINT TORIQUE	1				
27	6H1-43813-10	..CYLINDER, TILT ..CYLINDRE	1				

FIG. 13 POWER TRIM & TILT ASSY

PUISSANCE PARER ET INCLINER

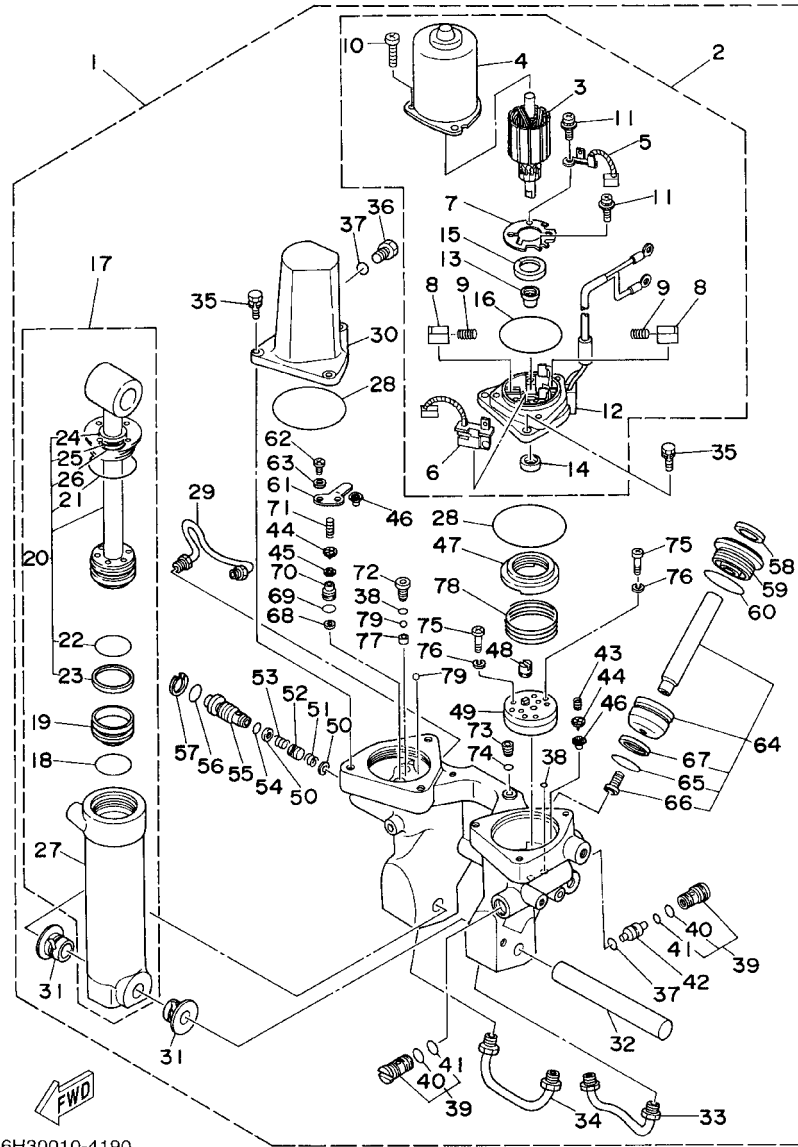


6H30010-4190

REF. NO.	PART NO. NO. PIECES	DESCRIPTION DESCRIPTION	55B				REMARKS REMARQUES
28	93210-64488	.O-RING .JOINT TORIQUE	2				
29	6H1-43835-10	.PIPE .TUYAU	1				
30	6H1-43828-10	.BODY, RESERVOIR .CORPS	1				
31	90386-18M14	.BUSH .DOUILLE	2				
32	6E5-43818-00	.PIN, LOWER SHOCK MOUNT .AXE, INFERIEUR AMORTISSEUR	1				
33	6H1-43833-10	.PIPE .TUYAU	1				
34	6H1-43834-00	.PIPE .TUYAU	1				
35	97595-06420	.BOLT, WITH WASHER .VIS HEXAGONAL AVC RONDELLE	6				
36	6H1-43829-00	.PLUG, RESERVOIR .BOUCHON	1				
37	93210-09165	.O-RING .JOINT TORIQUE	2				
38	93210-064A5	.O-RING .JOINT TORIQUE	3				
39	6T4-43802-03	.VALVE SUB ASSY .CLAPET AUXILIAIRE (ENS.)	2				
40	6H1-43866-00	.O-RING .JOINT TORIQUE	1				
41	6H1-43867-00	.O-RING .JOINT TORIQUE	1				
42	6H1-43841-11	.PISTON, SHUTTLE .PISTON	1				
43	6H1-43856-10	.SPRING, DOWN RELIEF .RESSORT	1				
44	6H1-43844-10	.PIN, VALVE SUPPORT .GOUPILLE	2				
45	6H1-4384G-11	.SEAL, RELIEF VALVE .JOINT	1				
46	6H1-4384F-10	.SEAL, MAIN VALVE .JOINT	2				
47	6H1-43817-01	.FILTER 2 .FILTRE 2	1				
48	6H1-43831-10	.CONNECTOR, SHAFT .RACCORD	1				
49	6H1-43830-11	.GEAR PUMP ASSY .POMPE A PIGNON (ENS.)	1				
50	6H1-43847-00	.SEAT, MANUAL VALVE .SIEGE	2				
51	6H1-43899-00	.SPRING, MANUAL RELEASE .RESSORT	1				
52	6H1-4382A-10	.ADAPTOR 1 .ADAPTEUR 1	1				
53	6H1-43854-00	.SPRING, MANUAL RELEASE .RESSORT	1				
54	93210-10M74	.O-RING .JOINT TORIQUE	1				

FIG. 13 POWER TRIM & TILT ASSY

PUISSANCE PARER ET INCLINER

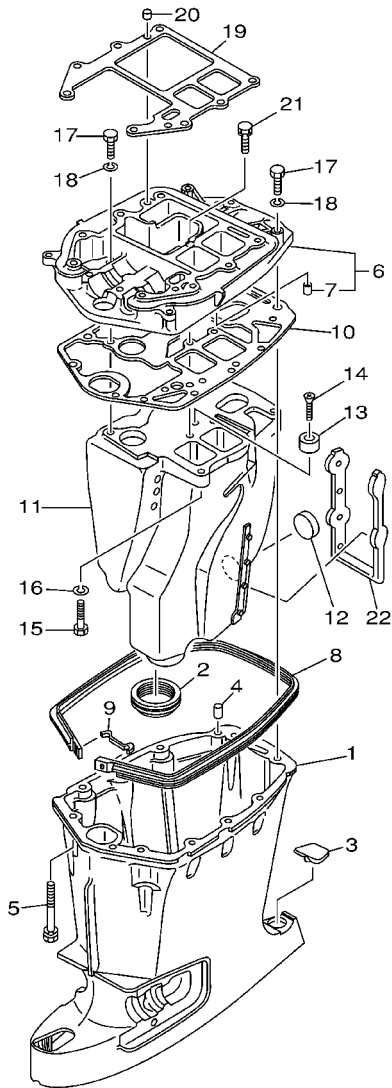


6H30010-4190

REF. NO.	PART NO. NO. PIECES	DESCRIPTION DESCRIPTION	55B				REMARKS REMARQUES
55	6H1-43845-00	.SCREW, MANUAL RELEASE .VIS	1				
56	93210-18M75	.O-RING .JOINT TORIQUE	1				
57	6H1-43875-00	.RING, SNAP .RESSORT	1				
58	6H1-43822-10	.SEAL, TRIM DUST .JOINT	2				
59	6H1-43821-11	.SCREW, TRIM CYLINDER END .VIS	2				
60	6H1-43861-10	.O-RING .JOINT TORIQUE	2				
61	6H1-4384E-20	.SPRING, TRIM .RESSORT	1				
62	98501-05010	.SCREW, PAN HEAD .VIS, TETE TRONCONIQUE	2				
63	92901-05200	.WASHER, PLAIN .RONDELLE, PLATE	2				
64	6H1-43820-11	.TRIM PISTON SUB ASSY .PARER PISTON AUXILIAIRE (ENS.	2				
65	6H1-43864-00	.O-RING .JOINT TORIQUE	1				
66	91318-08016	.BOLT .BOULON	1				
67	6H1-43874-00	.RING, BACK UP .RESSORT	1				
68	6H1-43816-00	.FILTER 1 .FILTRE 1	1				
69	6H1-43896-00	O-RING .JOINT TORIQUE	1				
70	6H1-43895-12	.SEAT, RELIEF VALVE .SIEGE	1				
71	62F-43855-00	.SPRING, UP RELIEF .RESSORT	1				
72	6H1-43843-11	.SCREW, VALVE LOCK .VIS	1				
73	6H1-4388E-11	.PLUG, TAPER SCREW .BOUCHON	1				
74	6H1-43868-00	O-RING .JOINT TORIQUE	1				
75	98501-04025	.SCREW, PAN HEAD .VIS, TETE TRONCONIQUE	4				
76	92901-04100	.WASHER, SPRING .RONDELLE, GROWER	4				
77	6H1-4387J-00	.WASHER, SPECIAL 2 .RONDELLE	1				
78	6H1-4385H-00	.SPRING, SEAL .RESSORT	1				
79	93505-32038	.BALL .BILLE	2				

FIG. 14 UPPER CASING

FOURREAU



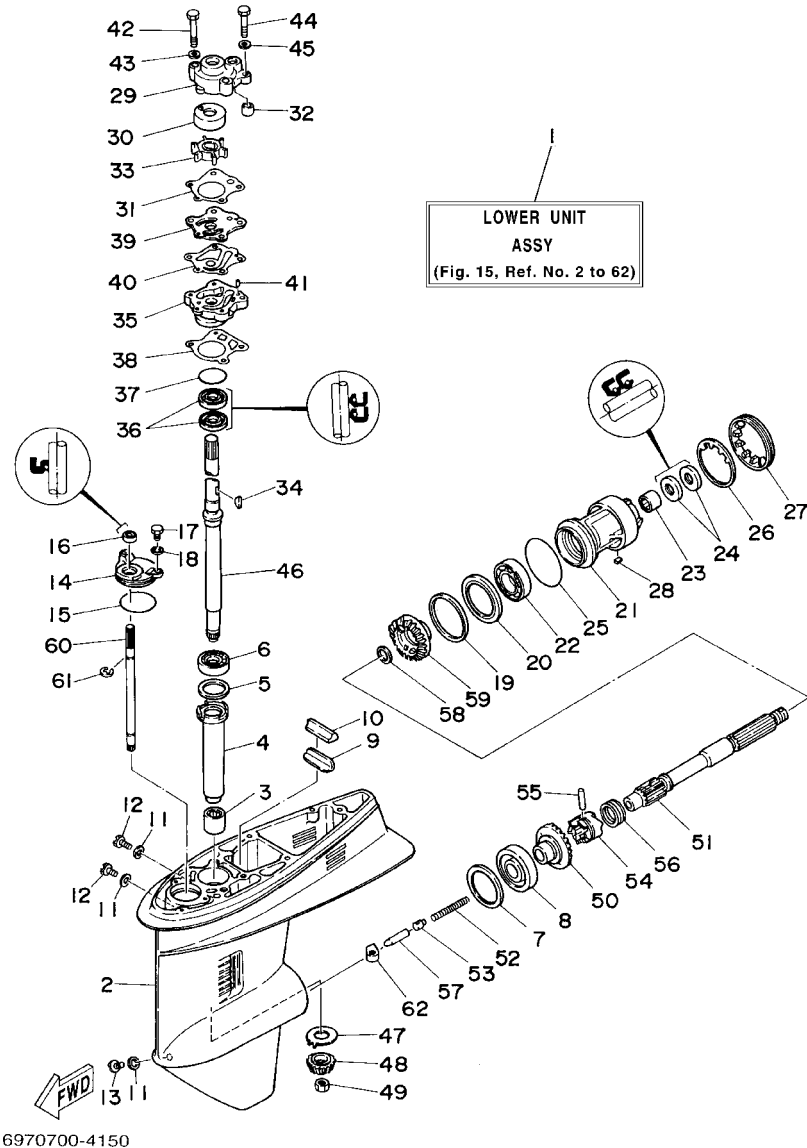
REF. NO.	PART NO. NO. PIECES	DESCRIPTION DESCRIPTION	55B				REMARKS REMARQUES
1	691-45111-13-4D	CASING, UPPER FOURREAU	1				
2	663-45123-00	GASKET, MUFFLER JOINT, POT DE DETENTE	1				
3	663-45155-10	CAP CAPUCHON	1				
4	93606-12019	PIN, DOWEL GOUJON	2				
5	90119-08M82	BOLT, WITH WASHER BOULON, AVEC RONDELLE	8				
6	663-41137-04-5B	GUIDE, EXHAUST COLLECTEUR D'ECHAPPEMENT	1				
7	90386-02M04	.BUSH .DOUILLE	1				
8	663-45127-00	SEAL JOINT	1				
9	663-45129-00	HOOK, DAMPER SEAL CROCHET	1				
10	697-45114-A0	GASKET, UPPER CASING JOINT, TUBE D'ARBRE	1				
11	663-14711-12-5B	MUFFLER 1 POT D'ECHAPPEMENT 1	1				
12	90334-30017	PLUG, STRAIGHT PLOT, DROIT	1				
13	663-45251-00	ANODE ANODE	1				
14	90152-06M01	SCREW, COUNTERSUNK VIS, TETE NOYEE	1				
15	97075-08035	BOLT BOULON	1				
16	92995-08100	WASHER RONDELLE	1				
17	97075-08030	BOLT BOULON	6				
18	92995-08100	WASHER RONDELLE	6				
19	696-45113-A0	GASKET, UPPER CASING JOINT, TUBE D'ARBRE	1				
20	93606-12019	PIN, DOWEL GOUJON	2				
21	97575-08440	BOLT, WITH WASHER VIS HEXAGONAL AVC RONDELLE	1				
22	663-14737-10	DAMPER, MUFFLER AMORTISSEUR DE POT D'ECHAPPT	1				



6970700-0140

FIG. 15 LOWER CASING. DRIVE 1

BOITIER D'HELICE, TRANSMISSION 1

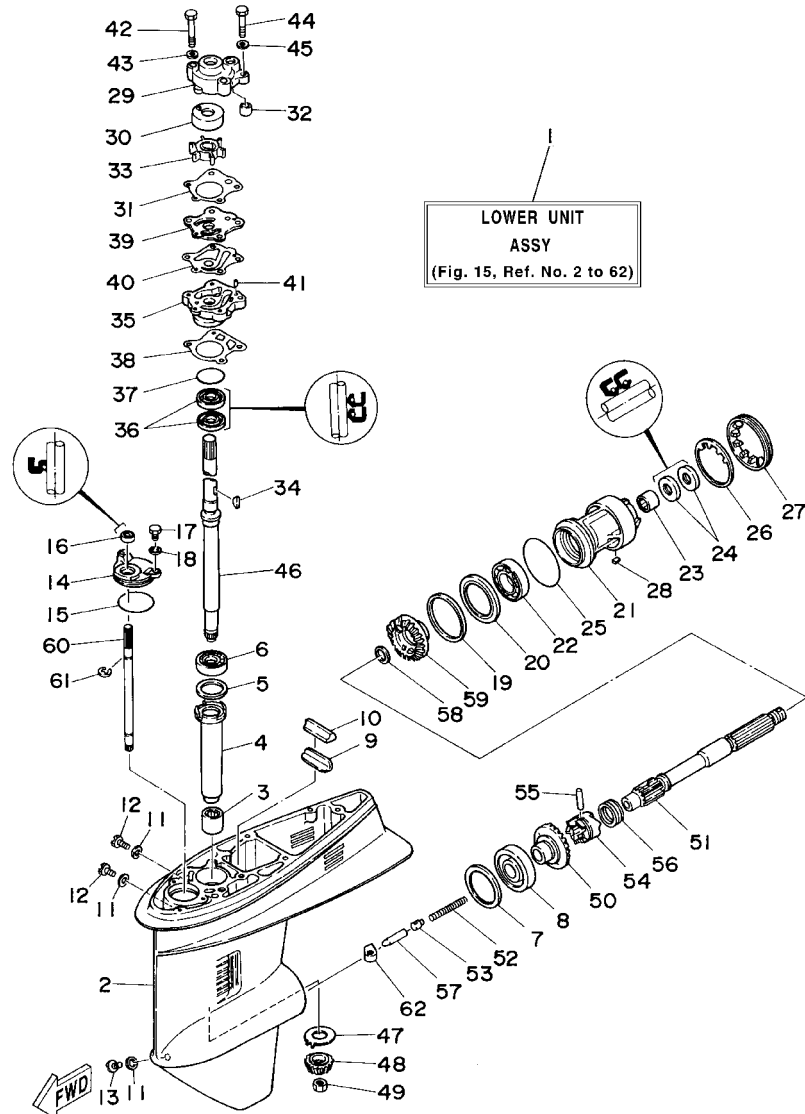


6970700-4150

REF. NO.	PART NO. NO. PIECES	DESCRIPTION DESCRIPTION	55B				REMARKS REMARQUES
1	697-45300-12-4D	LOWER UNIT ASSY UNITE INFERIEURE (ENS.)	1				
2	697-45311-02-4D	CASING, LOWER BOITIER D'HELICE	1				
3	93315-32224	BEARING ROULEMENT	1				
4	663-45536-00	SLEEVE, DRIVE SHAFT MANCHON, ARBRE MOTEUR	1				
5	663-45587-01-10	SHIM (T:0.10MM) CALE (T:0.10MM)	1				UR
663-45587-01-12	SHIM (T:0.12MM) CALE (T:0.12MM)	1					UR
663-45587-01-15	SHIM (T:0.15MM) CALE (T:0.15MM)	1					UR
663-45587-01-18	SHIM (T:0.18MM) CALE (T:0.18MM)	1					UR
663-45587-01-30	SHIM (T:0.30MM) CALE (T:0.30MM)	1					UR
663-45587-01-40	SHIM (T:0.40MM) CALE (T:0.40MM)	1					UR
663-45587-01-50	SHIM (T:0.50MM) CALE (T:0.50MM)	1					UR
6	93332-00001	BEARING ROULEMENT	1				
7	663-45567-01-10	SHIM (T:0.10MM) CALE (T:0.10MM)	1				UR
663-45567-01-12	SHIM (T:0.12MM) CALE (T:0.12MM)	1					UR
663-45567-01-15	SHIM (T:0.15MM) CALE (T:0.15MM)	1					UR
663-45567-01-18	SHIM (T:0.18MM) CALE (T:0.18MM)	1					UR
663-45567-01-30	SHIM (T:0.30MM) CALE (T:0.30MM)	1					UR
663-45567-01-40	SHIM (T:0.40MM) CALE (T:0.40MM)	1					UR
663-45567-01-50	SHIM (T:0.50MM) CALE (T:0.50MM)	1					UR
8	93332-00003	BEARING ROULEMENT	1				
9	663-45376-00-94	GUIDE, SEAL DAMPER BUTEE, JOINT CAOUTCHOUC	1				
10	663-45375-00	DAMPER, SEAL BOURRELET, CAOUTCHOUC	1				
11	90430-08020	GASKET JOINT	3				
12	90340-08002	PLUG, STRAIGHT SCREW PLOT, FILETE DROIT	2				
13	688-45341-10	PLUG, DRAIN BOUCHON DE VIDANGE	1				
14	663-45321-00	PLATE PLAQUETTE	1				
15	93210-49046	O-RING JOINT TORIQUE	1				

FIG. 15 LOWER CASING. DRIVE 1

BOITIER D'HELICE, TRANSMISSION 1



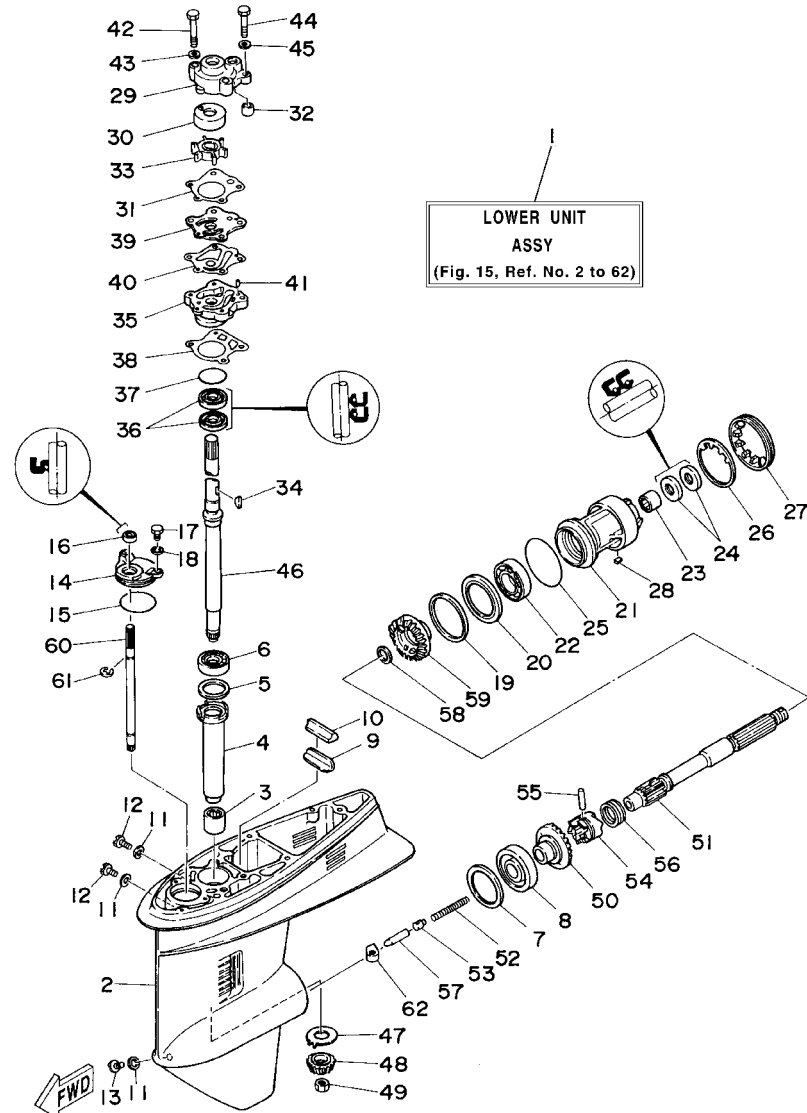
LOWER UNIT
ASSY
(Fig. 15, Ref. No. 2 to 62)

6970700-4150

REF. NO.	PART NO. NO. PIECES	DESCRIPTION DESCRIPTION	55B				REMARKS REMARQUES
16	93106-09014	OIL SEAL JOINT SPY	1				
17	97095-06016	BOLT BOULON	2				
18	92995-06600	WASHER RONDELLE	2				
19	663-45577-01-10	SHIM (T:0.10MM) CALE (T:0.10MM)	1				UR
	663-45577-01-12	SHIM (T:0.12MM) CALE (T:0.12MM)	1				UR
	663-45577-01-15	SHIM (T:0.15MM) CALE (T:0.15MM)	1				UR
	663-45577-01-18	SHIM (T:0.18MM) CALE (T:0.18MM)	1				UR
	663-45577-01-30	SHIM (T:0.30MM) CALE (T:0.30MM)	1				UR
	663-45577-01-40	SHIM (T:0.40MM) CALE (T:0.40MM)	1				UR
	663-45577-01-50	SHIM (T:0.50MM) CALE (T:0.50MM)	1				UR
20	663-45576-00	WASHER, THRUST RONDELLE DE CALAGE	1				
21	663-45331-00-94	HOUSING, BEARING FLASQUE, ROULEMENT	1				
22	93306-00702	BEARING ROULEMENT	1				
23	93317-22204	BEARING ROULEMENT	1				
24	93101-22067	OIL SEAL JOINT SPY	2				
25	93210-66M98	O-RING JOINT TORIQUE	1				
26	90214-48M03	WASHER, CLAW RONDELLE, A GRIFFES	1				
27	697-45384-00	NUT ECROU	1				
28	90282-04010	KEY, STRAIGHT CLAVETTE, DROITE	1				
29	663-44311-02	HOUSING, WATER PUMP CORPS, POMPE A EAU	1				
30	663-44322-00	INSERT, CARTRIDGE CUVETTE	1				
31	663-44315-A0	GASKET, WATER PUMP JOINT, POMPE A EAU	1				
32	663-44366-00	DAMPER, WATER SEAL JOINT, TUBE D'EAU	1				
33	697-44352-00	IMPELLER TURBINE	1				
34	90280-03M03	KEY, WOODRUFF CLAVETTE, DEMI-LUNE	1				
35	663-44341-00-94	HOUSING, WATER PUMP CORPS, POMPE A EAU	1				
36	93101-23070	OIL SEAL JOINT SPY	2				

FIG. 15 LOWER CASING. DRIVE 1

BOITIER D'HELICE, TRANSMISSION 1

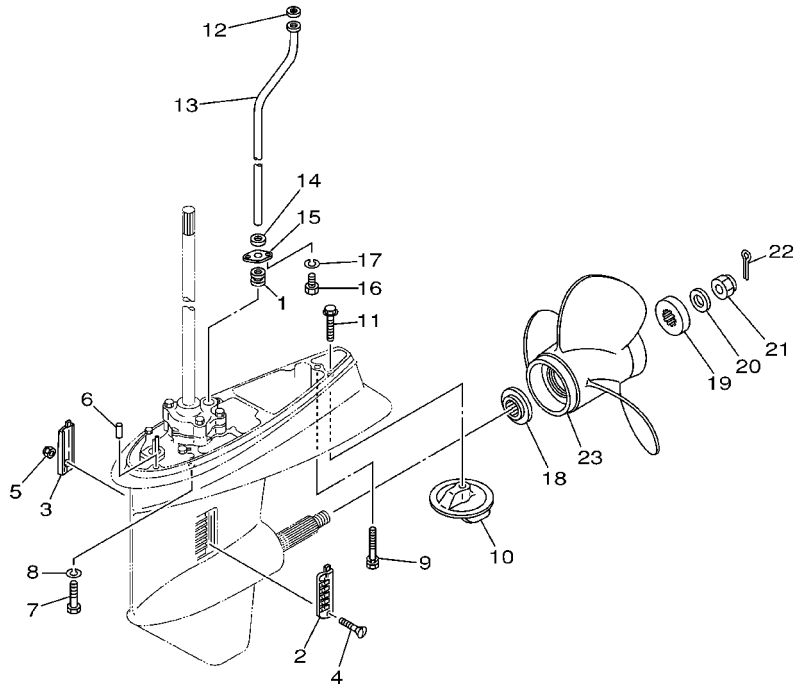


6970700-4150

REF. NO.	PART NO. NO. PIECES	DESCRIPTION DESCRIPTION	55B				REMARKS REMARQUES
37	93210-41042	O-RING JOINT TORIQUE	1				
38	663-44316-A0	GASKET, WATER PUMP JOINT, POMPE A EAU	1				
39	663-44323-00	OUTER PLATE, CARTRIDGE PLAQUE EXTERIEURE	1				
40	663-44324-A0	GASKET, CARTRIDGE JOINT	1				
41	93604-08062	PIN, DOWEL GOUJON	2				
42	97095-08055	BOLT BOULON	2				
43	92995-08600	WASHER RONDELLE	2				
44	97095-08045	BOLT BOULON	2				
45	92995-08600	WASHER RONDELLE	2				
46	663-45510-11	DRIVE SHAFT ASSY ARBRE MOTEUR (ENS.)	1				
47	663-45552-00	BEARING, PLAIN COUSSINET, PLAT	1				
48	697-45551-00	PINION PIGNON D'ATTAQUE	1				
49	90170-12138	NUT ECROU	1				
50	697-45560-00	GEAR PIGNON	1				
51	697-45611-00	SHAFT, PROPELLER ARBRE, HELICE	1				
52	90501-16233	SPRING, COMPRESSION RESSORT, COMPRESSION	1				
53	663-45634-00	SLIDE, SHIFT CONTRE-POUSSOIR	1				
54	663-45631-01	CLUTCH, DOG CRABOT	1				
55	90250-06023	PIN, STRAIGHT GOUPILLE, DROITE	1				
56	663-45633-00	RING, CROSS PIN JONC, GOUPILLE CRABOT	1				
57	688-45635-00	PLUNGER, SHIFT POUSSOIR D'EMBRAYAGE	1				
58	90201-22429	WASHER, PLATE RONDELLE, PLATE	1				
59	697-45571-00	GEAR PIGNON	1				
60	663-44144-01	ROD, SHIFT TIGE D'EMBRAYAGE	1				
61	99001-08600	CIRCLIP CIRCLIP	1				
62	663-44151-00	CAM, SHIFT CAME, INVERSION	1				

FIG. 16 LOWER CASING. DRIVE 2

BOITIER D'HELICE, TRANSMISSION 2

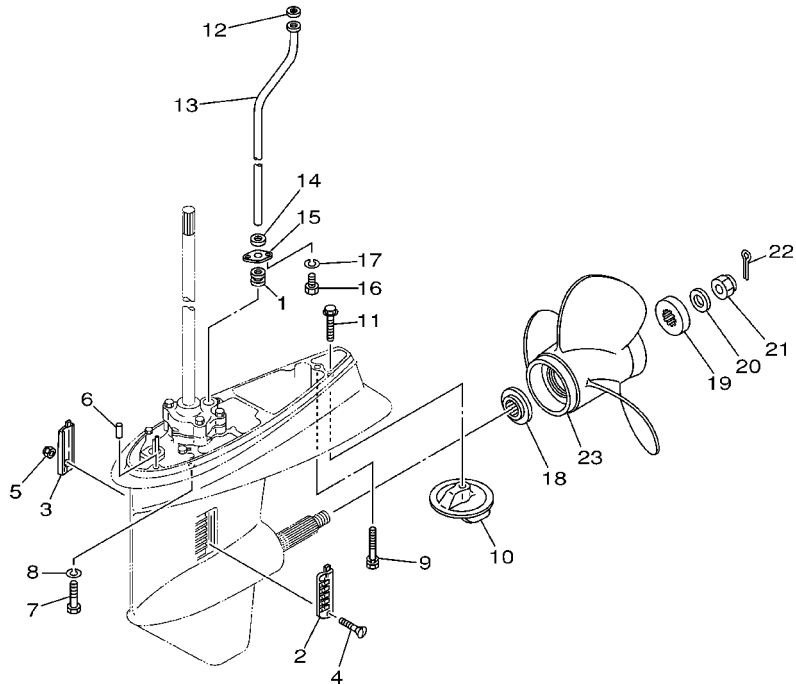


6970700-0160

REF. NO.	PART NO. NO. PIECES	DESCRIPTION DESCRIPTION	55B				REMARKS REMARQUES
1	663-44367-00	DAMPER, WATER SEAL JOINT TUBE D'EAU	1				
2	688-45214-02	COVER, WATER INLET GRILLE, ENTREE D'EAU	1				
3	688-45215-02	COVER, WATER INLET GRILLE, ENTREE D'EAU	1				
4	90152-05M05	SCREW, COUNTERSUNK VIS, TETE NOYEE	1				
5	90185-05002	NUT, SELF-LOCKING ECROU, AUTO-BLOCANT	1				
6	93606-12019	PIN, DOWEL GOUJON	2				
7	97075-10040	BOLT BOULON	4				
8	92995-10100	WASHER RONDELLE	4				
9	90119-08M84	BOLT, WITH WASHER BOULON, AVEC RONDELLE	1				
10	679-45371-00	TAB-TRIM ANODE DERIVE	1				
11	90105-10M67	BOLT, FLANGE BOULON	1				
12	90202-12060	WASHER, PLATE RONDELLE, PLATE	1				
13	663-44361-10	TUBE, WATER TUBE D'EAU	1				
14	90430-12072	GASKET JOINT	1				
15	663-44373-00	SET PLATE, WATER TUBE BRIDE, TUBE D'EAU	1				
16	97095-06012	BOLT BOULON	2				
17	92995-06100	WASHER, SPRING RONDELLE, GROWER	2				
18	663-45987-02	SPACER ENTRETOISE	1				
19	670-45997-02	SPACER ENTRETOISE	1				
20	92990-16200	WASHER, PLAIN RONDELLE, PLATE	1				
21	90171-16011	NUT, CASTLE ECROU, CRENELE	1				
22	91490-40025	PIN, COTTER GOUPILLE, FENDUE	1				
23	663-45941-01-EL	PROPELLER (3X10-3/4"X17"-G) HELICE (3X10-3/4"X17"-G)	1				UR
	663-45943-02-EL	PROPELLER (3X11"X15"-G) HELICE (3X11"X15"-G)	1				UR
	663-45945-02-EL	PROPELLER (3X11-1/8"X13"-G) HELICE (3X11-1/8"X13"-G)	1				UR
	663-45947-02-EL	PROPELLER (3X11-5/8"X11"-G) HELICE (3X11-5/8"X11"-G)	1				UR
	663-45949-01-EL	PROPELLER (3X10-3/4"X16"-G) HELICE (3X10-3/4"X16"-G)	1				UR

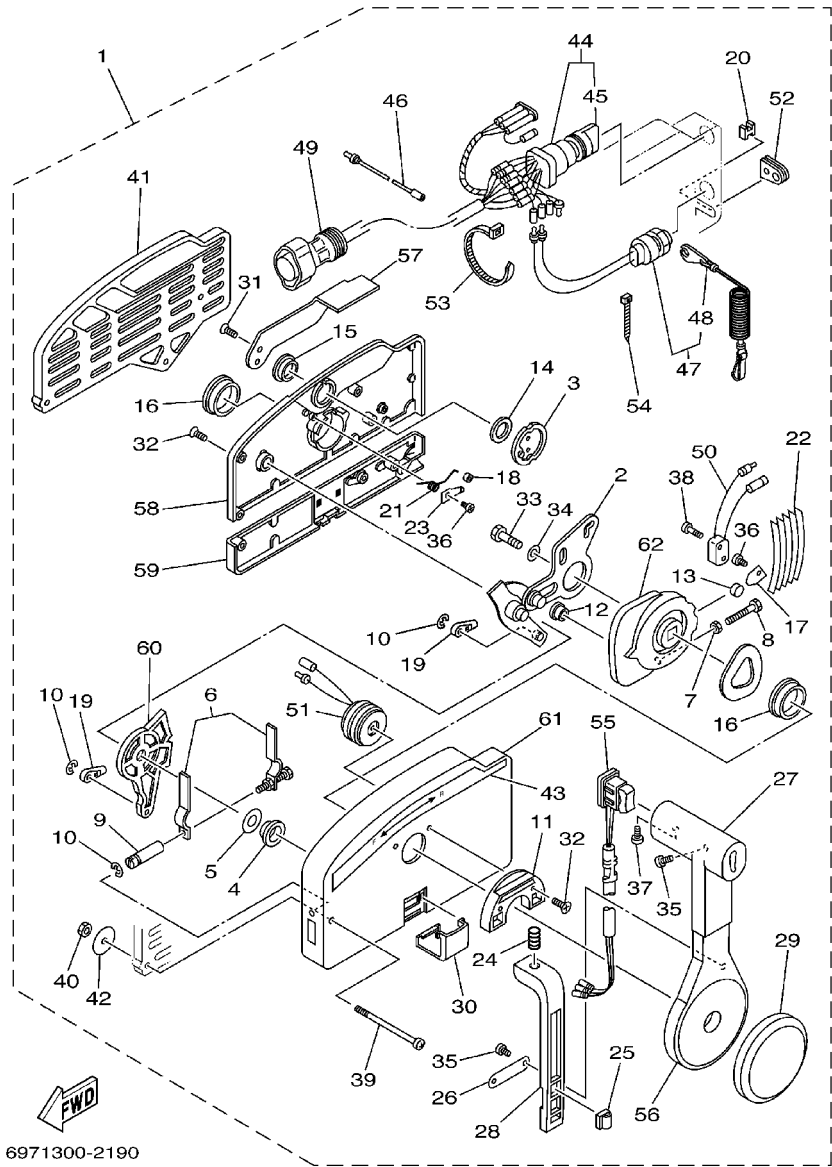
FIG. 16 LOWER CASING. DRIVE 2

BOITIER D'HELICE, TRANSMISSION 2




6970700-0160

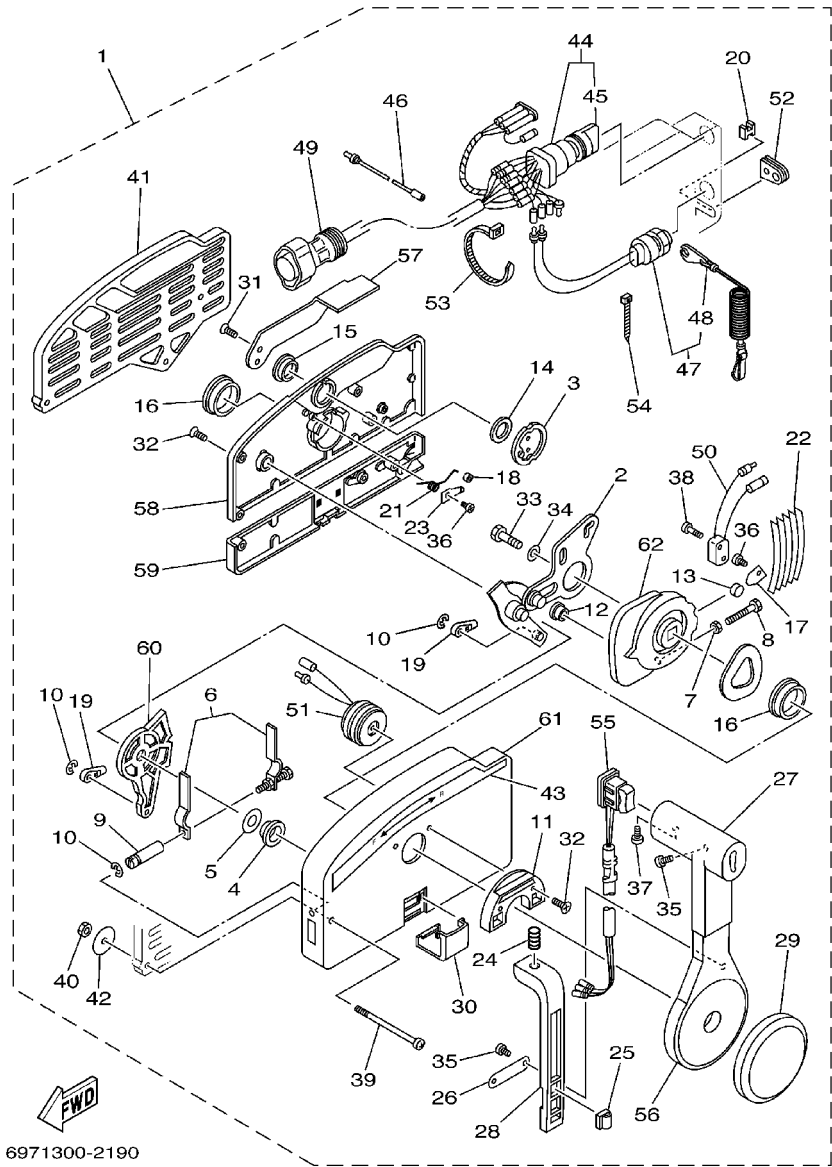
REF. NO.	PART NO. NO. PIECES	DESCRIPTION DESCRIPTION	55B	REMARKS REMARQUES
23	663-45952-02-EL	PROPELLER (3X11-3/8"X12"-G) HELICE (3X11-3/8"X12"-G)	1	UR
	663-45954-01-EL	PROPELLER (3X11-3/4"X10"-G) HELICE (3X11-3/4"X10"-G)	1	UR
	663-45956-01-EL	PROPELLER (3X12-1/4"X9"-G) HELICE (3X12-1/4"X9"-G)	1	UR
	663-45958-01-EL	PROPELLER (3X11-1/4"X14"-G) HELICE (3X11-1/4"X14"-G)	1	UR
		STAINLESS STEEL PROPELLER ACIER INOXYDABLE HELICE		
	663-45930-00-98	PROPELLER (3X10-1/4"X14"-G) HELICE (3X10-1/4"X14"-G)	1	UR
	663-45976-00-98	PROPELLER (3X10-1/4"X15"-G) HELICE (3X10-1/4"X15"-G)	1	UR
	663-45978-00-98	PROPELLER (3X10-1/4"X16"-G) HELICE (3X10-1/4"X16"-G)	1	UR
	663-45970-60-98	PROPELLER (3X11-3/4"X12"-G) HELICE (3X11-3/4"X12"-G)	1	UR
	663-45972-60-98	PROPELLER (3X12"X11"-G) HELICE (3X12"X11"-G)	1	UR
	663-45974-60-98	PROPELLER (3X11-1/2"X13"-G) HELICE (3X11-1/2"X13"-G)	1	UR
	697-45970-00-98	PROPELLER (3X11-1/4"X14"-G) HELICE (3X11-1/4"X14"-G)	1	UR



6971300-2190

FIG. 19 REMOTE CONTROL ASSY BOITIER DE COMMANDE A DISTANCE

REF. NO.	PART NO. NO. PIECES	DESCRIPTION DESCRIPTION	55B		REMARKS REMARQUES
1	703-48250-17	REMOTE CONTROL ASSY BOITIER DE COMMANDE A DISTANCE	1		AP WITH PT/T SW.
2	703-48261-11	.ARM, THROTTLE .BRAS, ACCELERATION	1		
3	703-48153-00	.SHAFT, FREE ACCEL. .AXE	1		
4	703-48235-00	.BUSHING .COUSSINET	1		
5	703-48268-00	.SPACER .ENTRETOISE	1		
6	703-48264-00	.THROTTLE, FRICTION ACCELERATION	1		
7	95380-05600	.NUT .ECROU	1		
8	97380-05025	.BOLT .BOULON	1		
9	703-48265-00	.SHAFT, FRICTION .AXE, COPILOTE	1		
10	93430-06024	.CIRCLIP .CIRCLIP, TYPE S	3		
11	703-48245-00	.PLATE, LOCK .PLAQUE, VERROU	1		
12	703-48252-00	.ROLLER, CAM .POULIE	1		
13	701-48248-00	.ROLLER, FREE ACCEL. .POULIE	1		
14	703-48198-00	.WASHER, WAVE .RONDELLE, ELASTIQUE ONDULEE	1		
15	703-48243-00	BUSHING COUSSINET	1		
16	703-48236-00	BUSHING 1 POULIE	2		
17	703-48189-00	.RETAINER .FLASQUE	1		
18	703-48234-00	.ROLLER, DETENT .POULIE	1		
19	703-48345-01	.CABLE END, REMOTE CONTROL 2 .CHAPE CABLE	2		
20	703-48358-00	.ANCHOR, CABLE .COLLIER	1		
21	703-48244-00	.SPRING, FREE ACCEL. RESSORT	1		
22	703-48238-00	.SPRING, DETENT RESSORT	5		
23	703-48246-00	.SPACER .ENTRETOISE	1		
24	703-48227-00	.SPRING, NEUTRAL LOCK RESSORT	1		
25	703-82594-00	.CLAMP .BRIDE	1		WITH PT/T SW.
26	703-48226-00	.PLATE, STOPPER .PLAQUETTE	1		
27	703-48222-00	.GRIP, CONTROL LEVER .POIGNEE, COMMANDE LEVIER	1		SINGLE



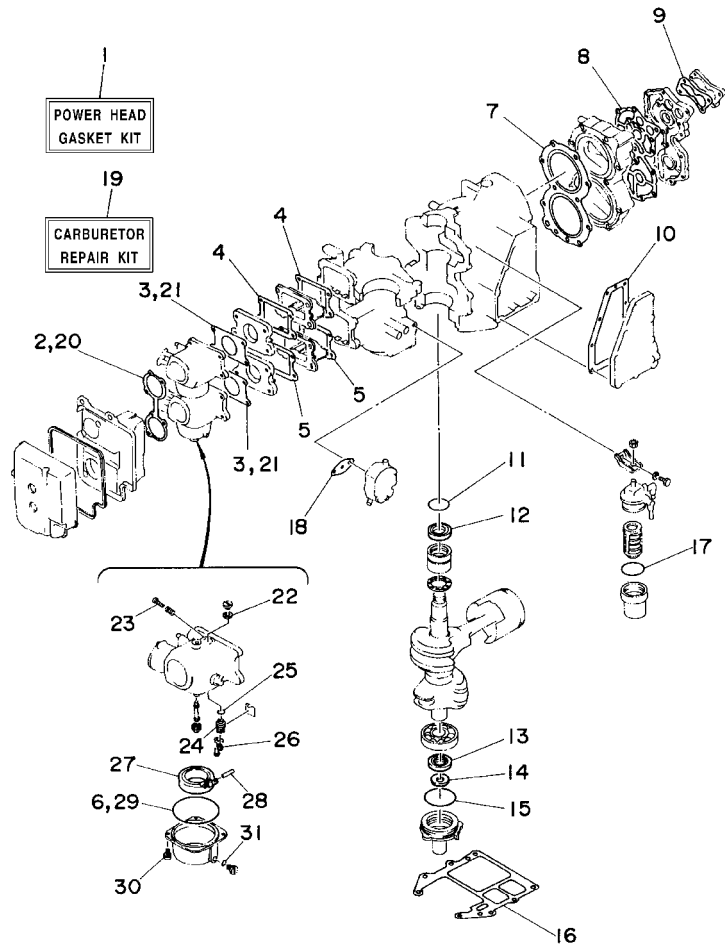
6971300-2190

FIG. 19 REMOTE CONTROL ASSY BOITIER DE COMMANDE A DISTANCE

REF. NO.	PART NO. NO. PIECES	DESCRIPTION DESCRIPTION	55B	REMARKS REMARQUES
28	703-48223-00	.LOCK, NEUTRAL .VERROU, NEUTRAL	1	
29	703-48225-00	.COVER .COUVERCLE	1	
30	703-48219-00	.COVER, LEAD .COUVERCLE	1	
31	703-48281-00	.SCREW .VIS	2	
32	703-48282-00	.SCREW .VIS	7	
33	97380-08030	.BOLT .BOULON	1	
34	92990-08600	.WASHER, PLATE .RONDELLE, PLATE	1	
35	98580-04010	.SCREW, PAN HEAD .VIS, TETE TRONCONIQUE	3	
36	98580-04006	.SCREW, PAN HEAD .VIS, TETE TRONCONIQUE	2	
37	98580-05010	.SCREW, PAN HEAD .VIS, TETE TRONCONIQUE	1	
38	98580-03015	.SCREW, PAN HEAD .VIS, TETE TRONCONIQUE	2	
39	703-48291-10	.SCREW (M6) .VIS (M6)	3	
40	95380-06600	.NUT, HEXAGON .ECROU	3	
41	703-48293-10	.SPACER, REMOTE CONTROL .ENTRETOISE	1	SINGLE
42	701-48287-00	.WASHER .RONDELLE	3	
43	703-48215-00	.GRAPHIC .ADHESIF	1	
44	703-82510-43	.MAIN SWITCH ASSY .CONTACTEUR A CLEF COMPLET	1	
45	703-82577-00	.CAP, KEY .CABOCHON	1	
46	703-82531-00	.WIRE, LEAD .FIL	1	
47	688-82575-01	.ENGINE STOP SWITCH ASSY .COUPE CIRCUIT CPLT	1	
48	682-82556-00	.STOPPER .PLAQUETTE	1	
49	688-8258A-20	.EXTENSION, WIRE HARNESS .EXTENSION, FAISCEAU DE FILS	1	L:5M (10P)
50	703-82540-00	.NEUTRAL SWITCH ASSY .CONTACTEUR DE POINT-MORT	1	
51	703-83383-02	.BUZZER .RONFLEUR	1	
52	703-48284-00	.GROMMET .PASSE-FIL	1	
53	703-82591-00	.BAND .COLLIER	1	
54	703-82592-00	.BAND .COLLIER	1	

FIG. 21 REPAIR KIT 1

KITS DE REPARATION 1



REF. NO.	PART NO. NO. PIECES	DESCRIPTION DESCRIPTION	55B				REMARKS REMARQUES
1	697-W0001-02	POWER HEAD GASKET KIT POCHETTE DE JINTS TETE MOTRICE	1				
2	663-14483-A0	.GASKET .JOINT	1				
3	663-14198-A0	.GASKET .JOINT	2				
4	663-13621-A0	.GASKET, VALVE SEAT .JOINT, SIEGE DE CLAPET	2				
5	663-13622-A0	.GASKET, VALVE SEAT .JOINT, SIEGE DE CLAPET	2				
6	93210-64272	.O-RING .JOINT TORIQUE	2				
7	697-11181-A1	.GASKET, CYLINDER HEAD 1 .JOINT, DE CULASSE 1	1				
8	663-11193-A0	.GASKET, HEAD COVER 1 .JOINT, COUVERCLE DE CULASSE 1	1				
9	663-12414-A0	.GASKET, COVER .JOINT, COUVERCLE	1				
10	663-41114-A0	.GASKET, EXHAUST OUTER COVER .JOINT, COUVERCLE D'ECHAPPEMEN	1				
11	93210-42159	.O-RING .JOINT TORIQUE	1				
12	93102-32M07	.OIL SEAL .JOINT SPY	1				
13	93102-28135	.OIL SEAL .JOINT SPY	1				
14	93104-18049	.OIL SEAL .JOINT SPY	1				
15	93210-62269	.O-RING .JOINT TORIQUE	1				
16	696-45113-A0	.GASKET, UPPER CASING .JOINT, TUBE D'ARBRE	1				
17	93210-32738	.O-RING .JOINT TORIQUE	1				
18	650-24431-A0	.GASKET, FUEL PUMP 1 .JOINT 1 DE POMPE A ESSENCE	1				
19	696-W0093-02	CARBURETOR REPAIR KIT KIT DE REPARATION CARBURATEUR	1				
20	663-14483-A0	.GASKET .JOINT	1				
21	663-14198-A0	.GASKET .JOINT	2				
22	679-14557-00	.WASHER .RONDELLE	2				
23	663-14923-00	.SCREW, PILOT .VIS, RALENTI	2				
24	696-14590-00	.NEEDLE VALVE ASSY .POINTEAU	2				
25	93210-07229	.O-RING .JOINT TORIQUE	2				
26	810-14186-00	.PIN, FLOAT .AXE, FLOTTEUR	2				
27	6F0-14985-00	.FLOAT .FLOTTEUR	2				



6970700-4220

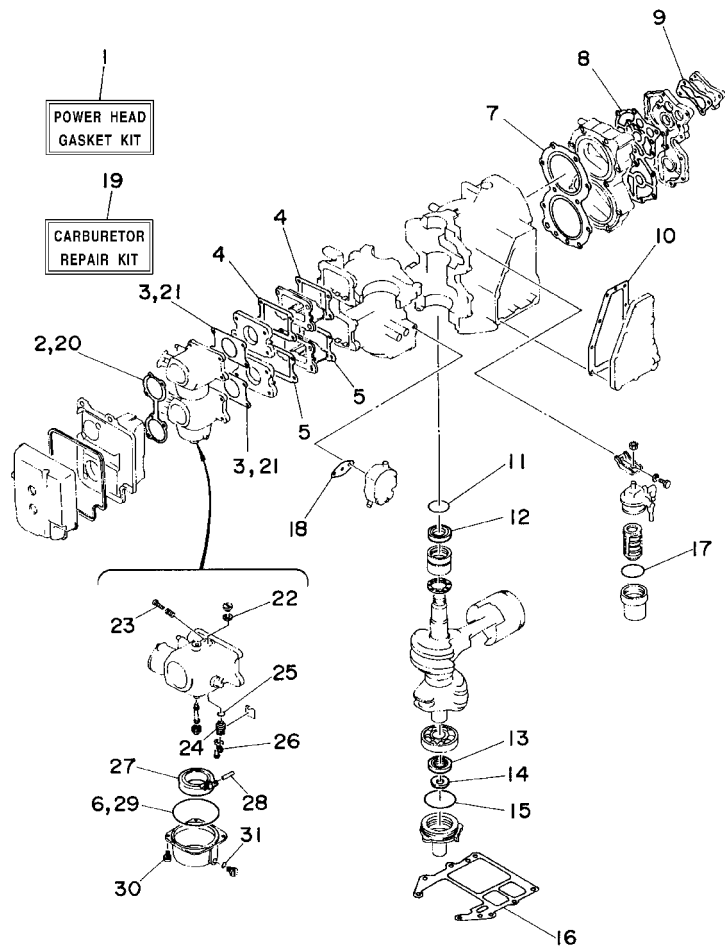


FIG. 21 REPAIR KIT 1

KITS DE REPARATION 1

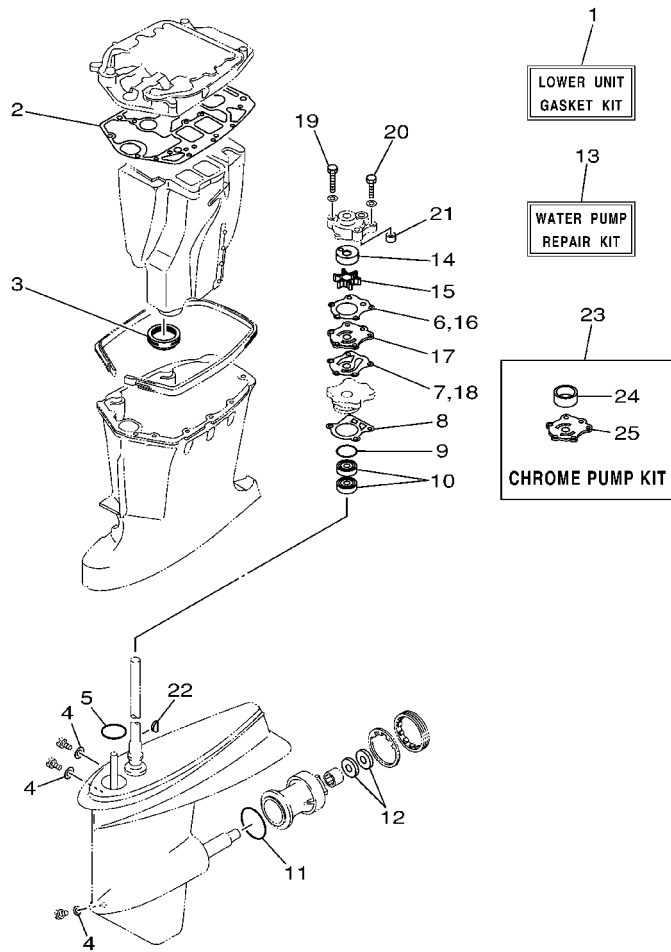
REF. NO.	PART NO. NO. PIECES	DESCRIPTION DESCRIPTION	55B				REMARKS REMARQUES
28	663-14548-00	.PIN, FLOAT ARM .AXE, BRAS DE FLOTTEUR	2				
29	93210-64272	.O-RING .JOINT TORIQUE	2				
30	97980-04112	.SCREW, WITH WASHER .VIS, AVEC RONDELLE	2				
31	93210-04230	.O-RING .JOINT TORIQUE	2				



6970700-4220

FIG. 22 REPAIR KIT 2

KITS DE REPARATION 2




6970700-0230

REF. NO.	PART NO. NO. PIECES	DESCRIPTION DESCRIPTION	55B				REMARKS REMARQUES
1	698-W0001-21	LOWER UNIT GASKET KIT POCHETTE DE JOINTS EMBASE	1				
2	697-45114-A0	.GASKET, UPPER CASING .JOINT, TUBE D'ARBRE	1				
3	663-45123-00	.GASKET, MUFFLER .JOINT, POT DE DETENTE	1				
4	90430-08020	.GASKET .JOINT	3				
5	93210-49046	.O-RING .JOINT TORIQUE	1				
6	663-44315-A0	.GASKET, WATER PUMP .JOINT, POMPE A EAU	1				
7	663-44324-A0	.GASKET, CARTRIDGE .JOINT	1				
8	663-44316-A0	.GASKET, WATER PUMP .JOINT, POMPE A EAU	1				
9	93210-41042	.O-RING .JOINT TORIQUE	1				
10	93101-23070	.OIL SEAL .JOINT SPY	2				
11	93210-66M98	.O-RING .JOINT TORIQUE	1				
12	93101-22067	.OIL SEAL .JOINT SPY	2				
13	663-W0078-01	WATER PUMP REPAIR KIT KIT DE REPARATION DE LA POMPE	1				
14	663-44322-00	.INSERT, CARTRIDGE .CUVETTE	1				
15	697-44352-00	.IMPELLER .TURBINE	1				
16	663-44315-A0	.GASKET, WATER PUMP .JOINT, POMPE A EAU	1				
17	663-44323-00	.OUTER PLATE, CARTRIDGE .PLAQUE EXTERIEURE	1				
18	663-44324-A0	.GASKET, CARTRIDGE .JOINT	1				
19	97095-08055	.BOLT .BOULON	2				
20	97095-08045	.BOLT .BOULON	2				
21	663-44366-00	.DAMPER, WATER SEAL .JOINT, TUBE D'EAU	1				
22	90280-03M03	.KEY, WOODRUFF .CLAVETTE, DEMI-LUNE	1				
23	697-W0078-0A	CHROME PUMP KIT KIT DE POMPE A EAU CHROMEE	1				
24	663-44322-40	.INSERT, CARTRIDGE .CUVETTE	1				
25	670-44323-00	.OUTER PLATE, CARTRIDGE .PLAQUE EXTERIEURE	1				

NUMERICAL INDEX
INDEX NUMERIQUE

PART NO. NO. PIECES	REF. NO.	PART NO. NO. PIECES	REF. NO.	PART NO. NO. PIECES	REF. NO.	PART NO. NO. PIECES	REF. NO.	PART NO. NO. PIECES	REF. NO.	PART NO. NO. PIECES	REF. NO.
697-W0001-02	21-1	647-14395-60	3-8	688-24378-00	4-34	697-42649-00-94	1-3	6H1-43816-00	13-68	6H1-43896-00	13-69
698-W0001-21	22-1	697-14416-00	3-21	692-24410-00	4-17	663-42662-00	1-5	6H1-43817-01	13-47	6H1-43899-00	13-51
692-W0004-00	3-2	697-14417-00-94	3-17	663-24411-00	4-22	697-42677-40	1-19	6E5-43818-00	13-32	663-44114-00	10-16
697-W0070-31	1-20	697-14418-00-94	3-20	692-24411-00	4-19	697-42678-30	1-21	6H1-4382A-10	13-52	663-44117-01	10-48
663-W0078-01	22-13	663-14483-A0	3-18	6A0-24412-02	4-28	697-42681-31	1-22	6H1-43820-11	13-64	688-44118-00-94	10-56
697-W0078-0A	22-23		21-2	6A0-24413-00	4-18	697-42682-31	1-23	6H1-43821-11	13-59	697-44120-12	10-64
697-W0090-05-1S	2-1		21-20	6A0-24421-01	4-26	697-42711-02-4D	9-1	6H1-43822-10	13-58	663-44121-01	10-53
696-W0093-02	21-19	624-14485-00	2-4	650-24431-A0	4-29	648-42715-00	10-63	6H1-43828-10	13-30	663-44144-01	15-60
656-W2810-02	4-36		3-7		21-18	663-42716-01	9-4	6H1-43829-00	13-36	696-44147-00	10-65
663-11111-02-1S	2-26	697-14501-04	3-34	648-24434-01	4-20	663-42723-01-94	9-21	6H1-43830-11	13-49	663-44151-00	15-62
697-11119-00	2-24	697-14502-04	3-35	648-24435-02	4-23	663-42724-00	9-5	6H1-43831-10	13-48	663-44194-00	10-39
697-11181-A1	2-27	63V-14523-00	3-42	61N-24521-00	4-9	663-42725-01	9-7	6H1-43833-10	13-33	688-44194-00	10-35
	21-7	663-14548-00	3-57	61N-24560-00	4-7	688-42726-10	9-3	6H1-43834-00	13-34	663-44311-02	15-29
663-11191-00-1S	2-29		21-28	61N-24563-00	4-8	663-42738-03-94	9-8	6H1-43835-10	13-29	663-44315-A0	15-31
663-11193-A0	2-30	679-14557-00	3-39	6E9-24566-70	4-11	663-42741-01-4D	9-22	6H1-4384E-20	13-61		22-6
	21-8		21-22	6YK-24610-00	17-3	663-42744-02	9-18	6H1-4384F-10	13-46		22-16
663-11325-00	2-22	663-14567-01	3-40	6YL-24641-00	17-4	663-42771-02-4D	9-23	6H1-4384G-11	13-45	663-44316-A0	15-38
650-11370-00	2-3	696-14590-00	3-50	6A1-28176-00	9-34	6G5-42791-10	9-32	6H1-43840-11	13-17		22-8
663-11411-01	2-47		21-24	626-28193-01-94	4-37	6A1-42792-01	9-33	6H1-43841-11	13-42	663-44322-00	15-30
663-11518-01	2-6	6K5-14592-00	3-46	663-41113-00-1S	2-41	697-42815-11-98	1-12	6H1-43843-11	13-72		22-14
663-11561-00	2-53	663-14711-12-5B	14-11	663-41114-A0	2-42	663-42816-02	1-16	6H1-43844-10	13-44	663-44322-40	22-24
688-11603-A0	2-55	663-14737-10	14-22		21-10	697-42817-11-98	1-13	6H1-43845-00	13-55	663-44323-00	15-39
688-11604-A0	2-55	371-14919-60	3-54	663-41137-04-5B	14-6	6H1-43111-01-4D	11-11	6H1-43847-00	13-50		22-17
688-11605-A0	2-55	663-14923-00	3-44	697-41211-00	10-41	6H1-43112-00-4D	11-11	6H1-4385H-00	13-78	670-44323-00	22-25
688-11631-03-94	2-54		21-23	663-41213-01-94	10-44	6E5-43126-02	11-33	6H1-43854-00	13-53	663-44324-A0	15-40
663-11633-00	2-56	663-14942-19	3-41	697-41217-01	3-13	688-43131-03	11-19	62F-43855-00	13-71		22-7
688-11634-00	2-57	663-14943-39	3-49	6H4-41237-00	10-42	6G5-43144-00	11-40	6H1-43856-10	13-43		22-18
688-11635-03	2-54	663-14945-32	3-37	662-41237-01	10-36	6G5-43145-01	11-23	6H1-4386K-10	13-9	663-44341-00-94	15-35
688-11636-03	2-54	663-14947-01	3-48	663-41256-01	3-15	6G5-43148-00	11-38	6H1-43861-00	13-21	697-44352-00	15-33
688-11650-03	2-58	663-14950-27	3-36	663-41257-02	3-14	688-43160-01	11-29	6H1-43861-10	13-18		22-15
6F5-12411-02	2-37	663-14980-00	3-59	661-41262-02	3-16	688-43165-00	11-30		13-22	663-44361-10	16-13
663-12413-00-1S	2-38	6F0-14985-00	3-56	663-41282-00	10-8	6H1-43181-01	11-24		13-60	663-44366-00	15-32
663-12414-A0	2-39		21-27	663-41612-00	5-17	6H1-43185-01	11-25	6H1-43864-00	13-65		22-21
	21-9	697-14991-00	3-38	663-41619-00	5-20	6H1-43311-01-4D	11-16	6H1-43865-10	13-16	663-44367-00	16-1
663-12416-00	2-34	6H3-14992-00	3-61	663-41631-00-94	10-26	6H1-43376-00	12-4	6H1-43866-00	13-40	663-44373-00	16-15
697-13610-00	3-1	697-15100-02-1S	2-2	663-41632-00-94	10-7	697-43662-00	10-70	6H1-43867-00	13-41	663-44511-00-94	12-36
663-13621-A0	3-3	663-15359-01-94	2-15	663-41633-00-94	10-21	6H1-4380F-10	13-7	6H1-43868-00	13-74	670-44514-00-94	12-29
	21-4	6YK-24201-01	17-1	663-41635-00	10-23	6H1-4380G-10	13-15	6H1-4387J-00	13-77	6H1-44526-00	11-3
663-13622-A0	3-4	6YK-24260-01	17-5	688-41636-00	10-33	6H1-4380H-10	13-13	6H1-43871-10	13-23	663-44533-00	12-35
	21-5	6YL-24268-01	17-2	663-41661-00-94	10-28	6H1-4380J-10	13-8	6H1-43872-10	13-25	663-44551-02-4D	12-12
663-13641-02-94	3-5	6G1-24304-02	4-1	663-41662-00-94	10-12	62F-43800-03-4D	13-1	6H1-43874-00	13-67	687-44552-02-94	12-21
663-14159-00	3-51	6YL-24306-52	17-8	663-42510-13-4D	12-6	6T4-43802-03	13-39	6H1-43875-00	13-57	663-44553-01-4D	12-26
810-14186-00	3-53	663-24312-01	2-45	624-42542-00	6-3	6H1-43804-10	13-4	6H1-4388E-11	13-73	687-44555-00-94	12-14
	21-26	663-24321-00	3-9		7-10	6H1-43805-10	13-3	6H1-43880-02	13-2	663-44575-00	12-19
663-14198-A0	3-6	6YL-24329-00	17-7	697-42610-40-4D	1-1	6H1-43810-11	13-20	6H1-43881-10	13-12	691-45111-13-4D	14-1
	21-3	6E5-24367-10	9-29	697-42613-01-4D	1-8	6H1-43812-00	13-24	6H1-43891-10	13-5	696-45113-A0	14-19
	21-21	663-24376-00	9-2	663-42615-02	1-11	6H1-43813-10	13-27	6H1-43892-10	13-6		21-16
6A0-14325-00	4-27	650-24378-00	2-44	697-42647-00-94	1-2	6H1-43814-11	13-19	6H1-43895-12	13-70	697-45114-A0	14-10

NUMERICAL INDEX
INDEX NUMERIQUE

PART NO. NO. PIECES	REF. NO.	PART NO. NO. PIECES	REF. NO.	PART NO. NO. PIECES	REF. NO.	PART NO. NO. PIECES	REF. NO.	PART NO. NO. PIECES	REF. NO.	PART NO. NO. PIECES	REF. NO.
697-45114-A0	22-2	697-45611-00	15-51	703-48250-17	18-1	697-81971-11	6-23	697-85520-02	5-7	90185-05002	16-5
663-45119-00	11-18	663-45631-01	15-54		19-1	697-82105-20	6-26	697-85533-00	5-8	90185-08045	12-34
663-45123-00	14-2	663-45633-00	15-56	703-48252-00	19-12	697-82117-00	7-1	697-85540-00	6-10	90185-08057	12-5
	22-3	663-45634-00	15-53	703-48261-11	19-2	703-82119-00	12-3	663-85542-01-94	6-1	90185-10051	12-41
663-45127-00	14-8	688-45635-00	15-57	703-48264-00	19-6	688-82127-02	12-28	697-85547-00	6-11	90185-22043	11-22
663-45129-00	14-9	663-45930-00-98	16-23	703-48265-00	19-9	663-82131-01	6-12	697-85550-00	5-1	90185-08652	3-47
663-45155-10	14-3	663-45941-01-EL	16-23	703-48268-00	19-5	6E5-82148-00	11-12	697-85560-01	5-2	90201-06068	1-18
688-45214-02	16-2	663-45943-02-EL	16-23	703-48271-00	19-60	6H1-82148-00	11-8	697-85561-00	5-3	90201-06416	9-14
688-45215-02	16-3	663-45945-02-EL	16-23	703-48281-00	19-31	682-82150-10	6-35	697-85570-00	6-14	90201-09425	12-33
6H1-45251-03	11-2	663-45947-02-EL	16-23	703-48282-00	19-32	1E6-82151-00	20-7	697-85580-00	5-4	90201-10008	2-10
663-45251-00	14-13	663-45949-01-EL	16-23	703-48284-00	19-52	663-82151-00	6-36	697-85580-10	5-5	90201-12M16	7-13
697-45300-12-4D	15-1	663-45952-02-EL	16-23	701-48287-00	19-42	697-82154-00	7-14	6F0-85599-A0	5-6		12-15
697-45311-02-4D	15-2	663-45954-01-EL	16-23	703-48291-10	19-39	6A0-82317-00	6-2	663-86110-02	3-26	90201-12426	11-44
663-45321-00	15-14	663-45956-01-EL	16-23	703-48293-10	19-41		7-9	663-86115-00	3-28	90201-13M19	12-17
663-45331-00-94	15-21	663-45958-01-EL	16-23	701-48310-90	18-2	6G1-82370-21	6-19	663-86116-01	3-30	90201-15423	12-31
688-45341-10	15-13	663-45970-60-98	16-23	701-48320-20	18-2	703-82510-43	19-44	676-86117-00	3-31	90201-20417	2-62
679-45371-00	16-10	697-45970-00-98	16-23	701-48320-50	18-2	662-82519-00	6-13	663-86118-00	3-33	90201-21M18	5-16
663-45375-00	15-10	663-45972-60-98	16-23	663-48344-00	10-6	697-82519-00	6-15	90101-12M51	11-42	90201-22M67	11-21
663-45376-00-94	15-9	663-45974-60-98	16-23	703-48345-01	19-19	703-82531-00	19-46	90105-10M67	16-11	90201-22429	15-58
697-45384-00	15-27	663-45976-00-98	16-23	703-48358-00	19-20	703-82540-00	19-50	90109-06260	10-47	90201-30M00	12-7
663-45510-11	15-46	663-45978-00-98	16-23	688-48511-01-4D	12-39	6R3-82553-70	20-8	90109-08022	2-59	90202-12060	16-12
663-45536-00	15-4	663-45987-02	16-18	663-48531-00	10-1	682-82556-00	19-48	90109-08262	12-30	90202-15065	12-32
697-45551-00	15-48	670-45997-02	16-19	663-48538-00	10-2	688-82560-00	6-30	90109-12261	12-18	90202-19M10	1-4
663-45552-00	15-47	703-48152-00	19-57	663-81162-00	8-28	703-82563-02	19-55	90116-06176	3-25	90202-25M04	12-16
697-45560-00	15-50	703-48153-00	19-3	697-81332-00	5-21	6E3-8257H-00	9-35	90116-10175	12-40	90206-06040	10-52
663-45567-01-10	15-7	703-48189-00	19-17	697-81800-13	8-1	688-82575-01	19-47	90116-10177	2-21	90206-10M04	10-46
663-45567-01-12	15-7	703-48198-00	19-14	697-81809-10	8-18	703-82577-00	19-45	90119-06MA2	2-31	90206-13019	1-15
663-45567-01-15	15-7	703-48211-01	19-61	663-81810-11	8-7	688-8258A-20	19-49		2-43	90214-48M03	15-26
663-45567-01-18	15-7	703-48212-00	19-58	663-81811-11	8-9	663-82588-00	6-31	90119-06MA4	2-40	90241-06M00	10-50
663-45567-01-30	15-7	703-48213-00	19-59	663-81812-11	8-10	697-82590-21	6-25	90119-06M08	9-17	90249-05125	10-9
663-45567-01-40	15-7	703-48215-00	19-43	663-81813-10	8-11	703-82591-00	19-53	90119-06M12	2-8	90249-06M19	11-37
663-45567-01-50	15-7	703-48219-00	19-30	697-81815-10	8-19	703-82592-00	19-54	90119-06M29	11-4	90250-06023	15-55
697-45571-00	15-59	703-48221-00	19-56	663-81820-12	8-12	663-82594-03	9-31	90119-06M59	6-4	90266-06M02	1-7
663-45576-00	15-20	703-48222-00	19-27	688-81824-00	8-21	697-82594-00	6-27	90119-08MA8	2-28	90266-06009	1-6
663-45577-01-10	15-19	703-48223-00	19-28	663-81826-10	8-16	703-82594-00	19-25	90119-08M82	14-5	90280-03M03	15-34
663-45577-01-12	15-19	703-48225-00	19-29	676-81830-10	8-2	703-83383-02	19-51	90119-08M84	16-9		22-22
663-45577-01-15	15-19	703-48226-00	19-26	688-81831-00	8-3	6Y5-83518-00	20-2	90119-08018	2-25	90280-05015	5-14
663-45577-01-18	15-19	703-48227-00	19-24	663-81832-12	8-5	6Y5-83536-00	20-3	90119-10005	2-9	90282-04010	15-28
663-45577-01-30	15-19	703-48232-00	19-62	663-81840-11	8-8	6Y5-83544-00	20-4	90152-05M05	16-4	90334-30017	14-12
663-45577-01-40	15-19	703-48234-00	19-18	663-81842-01-94	8-25	6Y5-83553-00	20-6	90152-06M01	14-14	90340-08002	15-12
663-45577-01-50	15-19	703-48235-00	19-4	676-81850-12	8-6	6G5-83557-00	6-8	90157-05M16	17-6	90340-14036	2-33
663-45587-01-10	15-5	703-48236-00	19-16	697-81857-12	8-17	697-83557-00	6-9	90157-06M01	9-28	90386-02M04	14-7
663-45587-01-12	15-5	703-48238-00	19-22	682-81941-11	8-4	6A1-83625-41	3-63	90157-06M11	10-34	90386-06M39	10-17
663-45587-01-15	15-5	703-48243-00	19-15	697-81945-00	7-6	6A1-83625-51	3-64	90157-06M12	10-38	90386-08006	10-66
663-45587-01-18	15-5	703-48244-00	19-21	61A-81949-00	7-2	688-83664-00	20-5	90170-12138	15-49	90386-10M16	11-26
663-45587-01-30	15-5	703-48245-00	19-11	697-81950-00	7-5	6Y5-83670-12	20-1	90170-20137	5-15	90386-10009	10-13
663-45587-01-40	15-5	703-48246-00	19-23	697-81952-10	8-20	6H1-83672-12	12-1	90171-16011	16-21		10-27
663-45587-01-50	15-5	701-48248-00	19-13	664-81970-61	6-20	663-85518-00	5-12	90179-06066	12-25		10-29

NUMERICAL INDEX
INDEX NUMERIQUE

PART NO. NO. PIECES	REF. NO.	PART NO. NO. PIECES	REF. NO.	PART NO. NO. PIECES	REF. NO.	PART NO. NO. PIECES	REF. NO.	PART NO. NO. PIECES	REF. NO.	PART NO. NO. PIECES	REF. NO.
90386-10009	10-45	90501-14234	2-35	92995-06600	1-10	93210-32738	4-10	95380-08600	4-14	97380-05025	19-8
90386-13M38	1-14	90501-16233	15-52		2-20		21-17	95380-12600	11-45	97380-08030	19-33
90386-18M14	13-31	90502-16M02	11-32		3-24	93210-41042	15-37	95380-12800	12-20	97575-08440	14-21
90386-18M35	11-35	90506-14M24	11-39		4-3		22-9	95895-06045	7-11	97595-06420	13-35
90386-18M63	11-34	90508-20169	10-24		4-31	93210-42159	2-50	97013-06010	6-32	97602-05114	5-11
90386-22M15	11-20	91318-08016	13-66		5-23		21-11	97013-06012	7-3	97602-05130	5-9
90386-30M60	12-11	91490-16012	10-55		6-17	93210-49046	15-15	97013-06014	4-12	97602-05132	5-10
90386-30M77	12-9	91490-40025	16-22		7-8		22-5	97013-06020	5-18	97607-04310	13-11
90386-30M78	12-8	91690-30010	3-27		9-11	93210-62269	2-18	97013-06025	3-19	97880-05030	3-29
90387-06M03	9-13	91690-30012	10-3		10-15		21-15	97013-08016	8-29		6-21
90387-06M38	7-12		11-31		10-32	93210-64272	3-58	97013-08025	8-26	97880-06012	11-13
90387-10M02	11-27	91690-30018	10-11		11-7		21-6	97013-08030	10-58	97885-05016	13-10
90430-08020	15-11		10-22		11-10		21-29	97013-08040	8-22	97885-06016	12-2
	22-4		10-25		15-18	93210-64488	13-28	97075-08025	12-22		12-27
90430-12072	16-14	91690-30020	11-28	92995-08100	10-5	93210-66M98	15-25	97075-08030	14-17	97980-04112	3-60
90430-14115	2-32	91690-40010	10-30		12-23		22-11	97075-08035	12-37		21-30
90440-14M00	11-46	92901-04100	8-14		12-38	93306-00702	15-22		14-15	98501-04025	13-75
90445-07240	2-12		13-76		14-16	93306-206U3	2-52	97075-10040	16-7	98501-05010	13-62
90445-09061	4-35	92901-05200	13-63		14-18	93310-730V8	2-61	97095-06010	11-9	98503-04012	8-13
90445-09086	4-32	92903-06100	4-13	92995-08600	6-29	93311-632U1	2-48		11-41	98503-05028	4-24
90445-09097	4-15		6-33		15-43	93311-832U4	2-51	97095-06012	1-17	98580-03015	19-38
90445-09109	4-4	92903-06600	5-19		15-45	93315-32224	15-3		6-5	98580-04006	3-55
90461-04011	2-14		7-4	92995-10100	11-15	93317-22204	15-23		16-16		19-36
90462-05M02	10-57		10-20		16-8	93332-00001	15-6	97095-06014	9-19	98580-04010	19-35
90464-04011	4-6		10-51	92995-12200	11-43	93332-00003	15-8	97095-06016	1-9	98580-05010	19-37
90464-07M10	6-7		10-54	93101-22067	15-24	93410-18M02	11-36		2-19	98780-04015	2-23
90465-06M86	6-34	92903-08100	8-23		22-12	93410-28M06	12-13		5-22	99001-08600	15-61
90465-11M10	12-42		8-27	93101-23070	15-36	93430-06024	19-10		9-9	99080-05600	10-18
90465-13M11	6-24		8-30		22-10	93501-04M02	10-61		11-5		10-69
90465-13M39	6-37		10-59	93102-08M43	13-14	93505-32038	13-79		15-17		
90467-06016	2-13	92903-08600	8-24	93102-28135	2-17	93603-21111	2-60	97095-06018	10-14		
90467-08004	2-46		10-60		21-13	93604-08062	2-5		10-31		
	3-10	92990-05100	4-25	93102-32M07	2-49		15-41	97095-06020	4-2		
	4-5		6-22		21-12	93606-12019	14-4		6-16		
	4-16	92990-06600	9-30	93104-18049	2-16		14-20		7-7		
	4-33	92990-08200	10-67		21-14		16-6		9-24		
90468-18008	10-49	92990-08600	19-34	93106-09014	15-16	93607-23110	10-10	97095-06025	9-26		
	10-68	92990-16200	16-20	93210-03261	3-32	93608-12063	2-7	97095-06030	9-15		
90480-06158	5-13	92995-06100	3-11	93210-04230	3-62	93700-06M03	11-17	97095-06040	4-30		
90480-09M12	9-12		3-23		21-31	94702-00247	2-63	97095-06045	3-22		
90480-12004	9-6		6-6	93210-064A5	13-38	95313-10600	2-11	97095-08016	6-28		
90480-18065	2-36		9-10	93210-07229	3-52	95380-03600	4-21		10-4		
90480-25161	6-18		9-16		21-25	95380-05600	10-40	97095-08045	15-44		
90501-08214	3-45		9-20	93210-09165	13-37		10-43		22-20		
90501-08232	10-19		9-25	93210-10M74	13-54		19-7	97095-08055	15-42		
90501-10326	3-43		9-27	93210-18M75	13-56	95380-06600	3-12		22-19		
90501-12082	10-62		11-6	93210-18397	13-26		19-40	97095-10045	11-14		
90501-14M08	12-24		16-17	93210-29M94	12-10	95380-06700	10-37	97313-06010	8-15		

55BET
PARTS CATALOGUE
©2001 by Yamaha Motor Co., Ltd.
1st Edition, Dec. 2001
All rights reserved.
Any reprinting or unauthorized use
without the written permission of
Yamaha Motor Co., Ltd.
is expressly prohibited.

55BET
CATALOGUE DE PIECES DETACHEES
©2001 Yamaha Motor Co., Ltd.
1ère Edition, Dec. 2001
Tous droits réservés.
Toute réimpression ou utilisation
sans la permission écrite de la
Yamaha Motor Co., Ltd.
est formellement interdite.